

Hustler® Parts Manual



HUSTLER®
TURF EQUIPMENT

200 South Ridge Road

Hesston, Kansas

67062



NOTICE OF REQUIREMENT OF SPARK ARRESTER MUFFLER

This equipment may create sparks that can start fires around dry vegetation. California Public Resources Code Section 4442.6 provides that it is unlawful to use or operate an internal combustion engine on any forest-covered, brush-covered, or grass-covered land unless the engine is equipped with a spark arrester maintained in effective working order. A spark arrester is a device constructed of nonflammable materials specifically for the purpose of removing and retaining carbon and other flammable particles over 0.0232 of an inch in size from the exhaust flow of an internal combustion engine that uses hydrocarbon fuels or which is qualified and rated by the United States Forest Service. Other states or federal areas may have similar laws. The Operator Should Contact Local Fire Agencies For Laws or Regulations Relating to Fire Prevention Requirements. **THIS EQUIPMENT DOES NOT HAVE A SPARK ARRESTER AND YOU SHOULD CONTACT YOUR AUTHORIZED DEALER FOR THE PURCHASE OF A SPARK ARRESTER.**

Inspect spark arrester daily; replace every 500 hours or as needed.

The Engine Owner's Manual provides information regarding the U.S. Environmental Protection Agency (EPA) and the California Emission Control Regulation of emission systems, maintenance and warranty.

Keep Engine Owner's Manual with your unit. Should the Engine Owner's Manual become damaged or illegible, replace immediately. Replacements may be ordered per the information found in the Product Information section of the owner's manual.

Federal law and California State law prohibit the following acts or the causing thereof:

1. The removal or rendering inoperative by any person other than for purposes of maintenance, repair, replacement, of any device or element of design incorporated into any equipment for the purposes of emissions control prior to or after its sales or delivery to the ultimate purchaser or while it is in use, or
2. The use of the equipment after such device or element of design has been removed or rendered inoperative by any person.

General Information	1
Frame, Instrument Panel, Wire Harness & Engine Guard	
Frame	3-1
Fenders, Floor Pan, Footrest & Engine Guard (Multi-Page)	3-2
Instrument Panel & Wire Harness - S/N 20125064 & HIGHER	3-3
Instrument Panel & Wire Harness - S/N PRIOR to 20125064	3-4
Battery	3-5
Transmissions, Drive Belt, Clutch, Steering & Brake	
Transmissions	4-1
Transmission Service Parts	4-2
Drive Belt & Clutch	4-3
Steering & Brake	4-4
Steering Assembly (Multi-Page)	4-5
Wheels & Tires	
Wheels & Tires	5-1
Front Wheel Assembly	5-2
Drive Wheel Breakdown	5-3
Engine & Fuel System	
Engine & Muffler (Multi-Page)	6-1
Engine Service Parts - FR651V	6-2
Fuel System	6-3
Fuel Tank Service Parts - 607745	6-4
Deck, Deck Belt, Blades & Deck Lift	
Service Deck	7-1
Deck Pulleys & Spindles	7-2
Spindle Service Parts - 607418	7-3
Deck Belt, Pulley Covers & Blades	7-4
Deck Lift & Mounting Hardware (Multi-Page)	7-5
Seat	
Seat	8-1
Seat Service Parts	8-2

General Information

Note: When ordering parts, you must use the part number as shown for each part, not the index number. Always give the model and serial number to your parts and service representative.

Note: Items sold in bulk such as seals and hoses are sold by the foot.

Using This Manual

This manual is part of a service package for the Hustler® mowers. Use of this manual in conjunction with other Hustler® mower and component manuals will provide the information necessary to service and maintain Hustler® mowers.

This Parts Manual provides a complete parts listing for the unit. Use this manual when ordering parts. Illustrations used were current at the time of printing, but subsequent production changes may cause your machine to vary slightly in detail. Excel Industries, Inc. reserves the right to redesign and change the machine as deemed necessary, without notification. If a change has been made to your machine which is not reflected in this parts manual, see your authorized dealer for current information and parts.

The Service Manual is a service guide for use by Service Technicians. It provides the necessary information needed to perform normal maintenance requirements on these units.

The Operator's Manual provides fundamental operational information and operational safety that is needed when operating the mower.

The component manuals are furnished by the various manufacturers to be used for the troubleshooting and servicing of their products.

Hardware Description Codes & Abbreviations

The following codes are used throughout this parts manual. Refer to this list when ordering parts.

ABBREVIATION	DESCRIPTION	ABBREVIATION	DESCRIPTION
CB	CARRIAGE BOLT	MB	MACHINE BUSHING
CE	CLEVIS PIN	MS	MACHINE SCREW
CN	CLIP NUT	NT	NUT
CP	COTTER PIN	SC	SELF TAPPING CAP SCREW
CS	CAP SCREW	SH	SOCKET HEAD
CW	CUP WASHER	SB	SHOULDER BOLT
FDRW	FENDER WASHER	SS	SET SCREW
FW	FLAT WASHER	OD	OUTSIDE DIAMETER
HX	HEX HEAD	ID	INSIDE DIAMETER
LW	LOCK WASHER	WN	WELD NUT

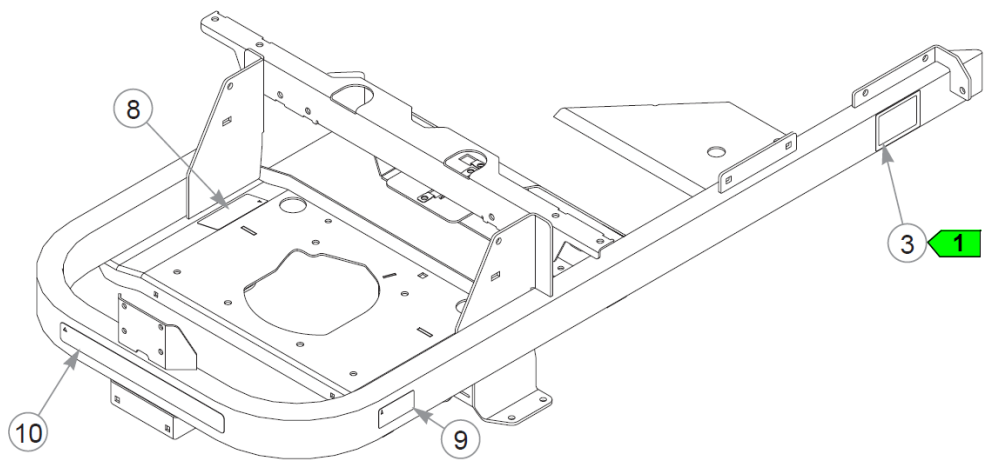
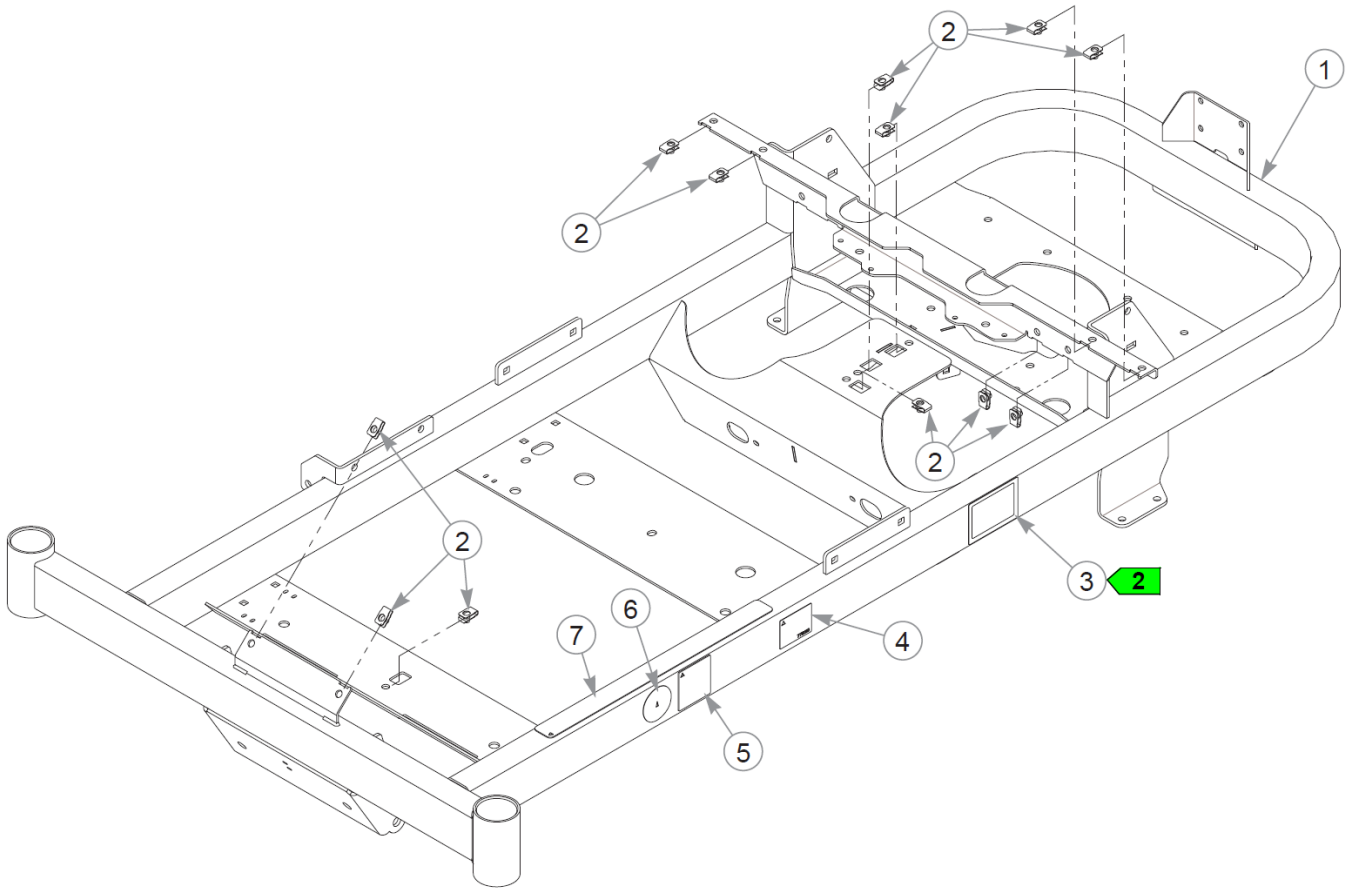
Standard Torques

The following chart lists the standard torque values for the threaded fasteners found in this manual. Torque all cap screws, nuts and set screws to these values unless a different torque is shown in the Notes section next to the fastener.

SIZE	FT-LBS	N•M	SIZE	FT-LBS	N•M
.250	8.2	11.1	M3	1	1.3
.312	17	23	M4	2.2	3
.375	30	40	M5	4.5	6.1
.438	48	65	M6	7.7	10.4
.500	73	99	M8	18.5	25
.562	105	143	M10	37	50
.625	145	200	M12	64	87
.750	260	350	M14	80	108.5
.875	420	565	M16	160	215
1.00	625	850	M20	320	435
			M24	555	750

Cette page intentionnellement laissée vierge

Frame

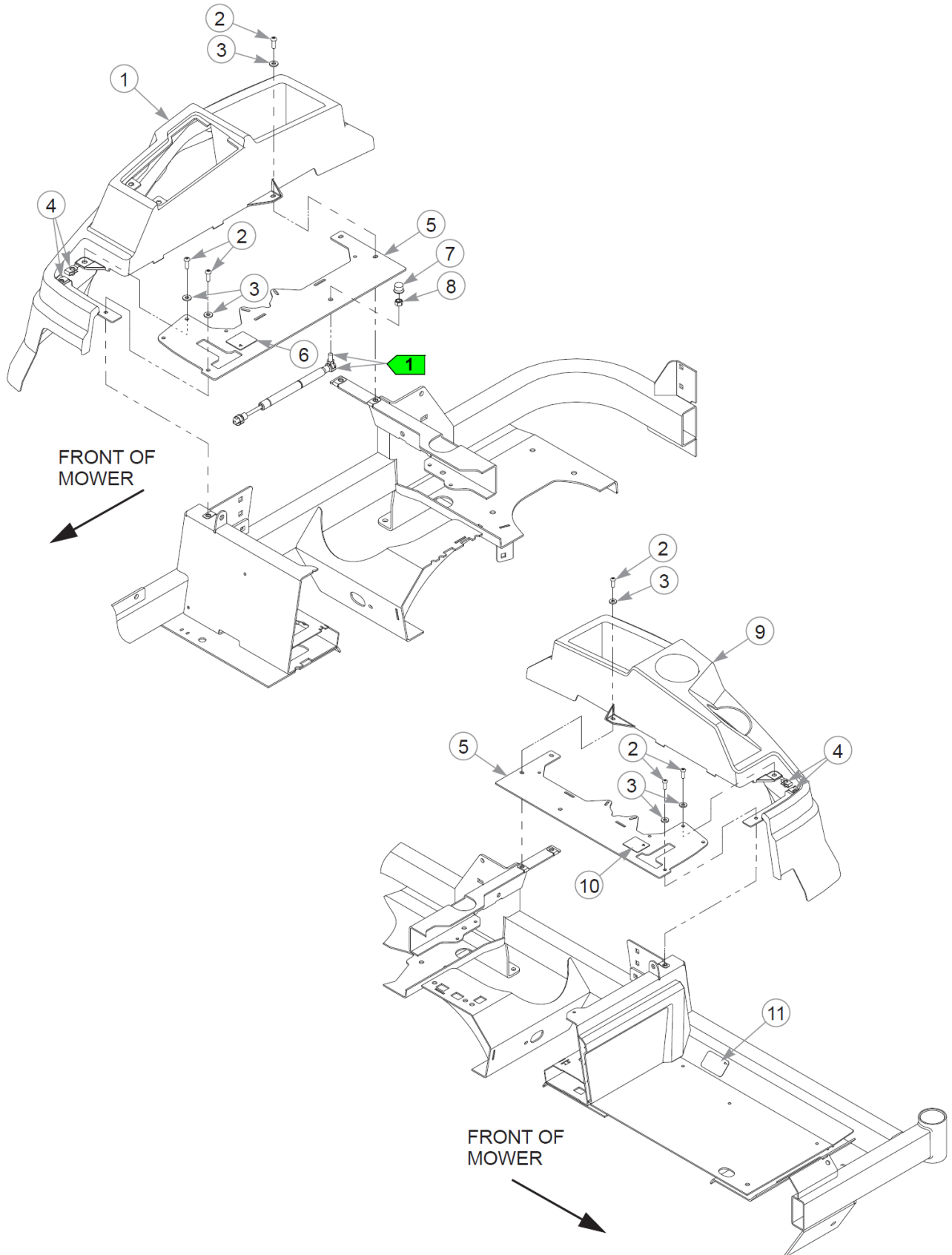


Frame

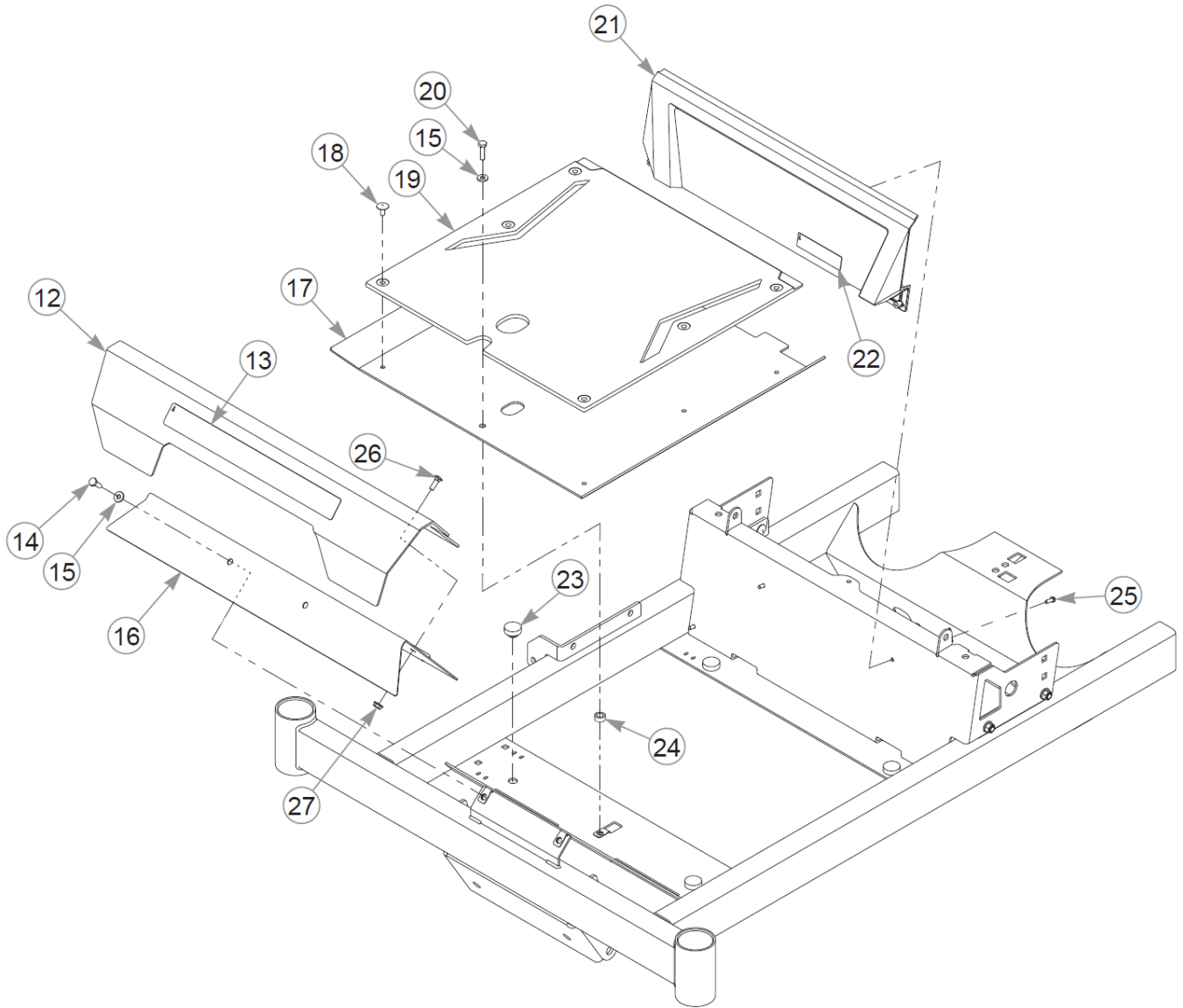
Élément	Numéro de pièce	Qté	Nom
1	555824	1	SVC FRAME CE
2	601982	12	CN .250-20X .150 MAX THK
3	N/A	2	SERIAL NUMBER / SPEC DECAL
4	776310	1	DECAL, CE MARK
5	794834CE	1	CE 100 DBA LIMIT DECAL
6	608127	1	DECAL, USA, F&D
7	601981	1	DECAL, SAFE OPERATE-GRAY
8	601967	1	DECAL, ENGINE COMPART
9	602041	1	DECAL, HOT
10	602407	1	DECAL, HUSTLER ID

Comments for Page: Frame

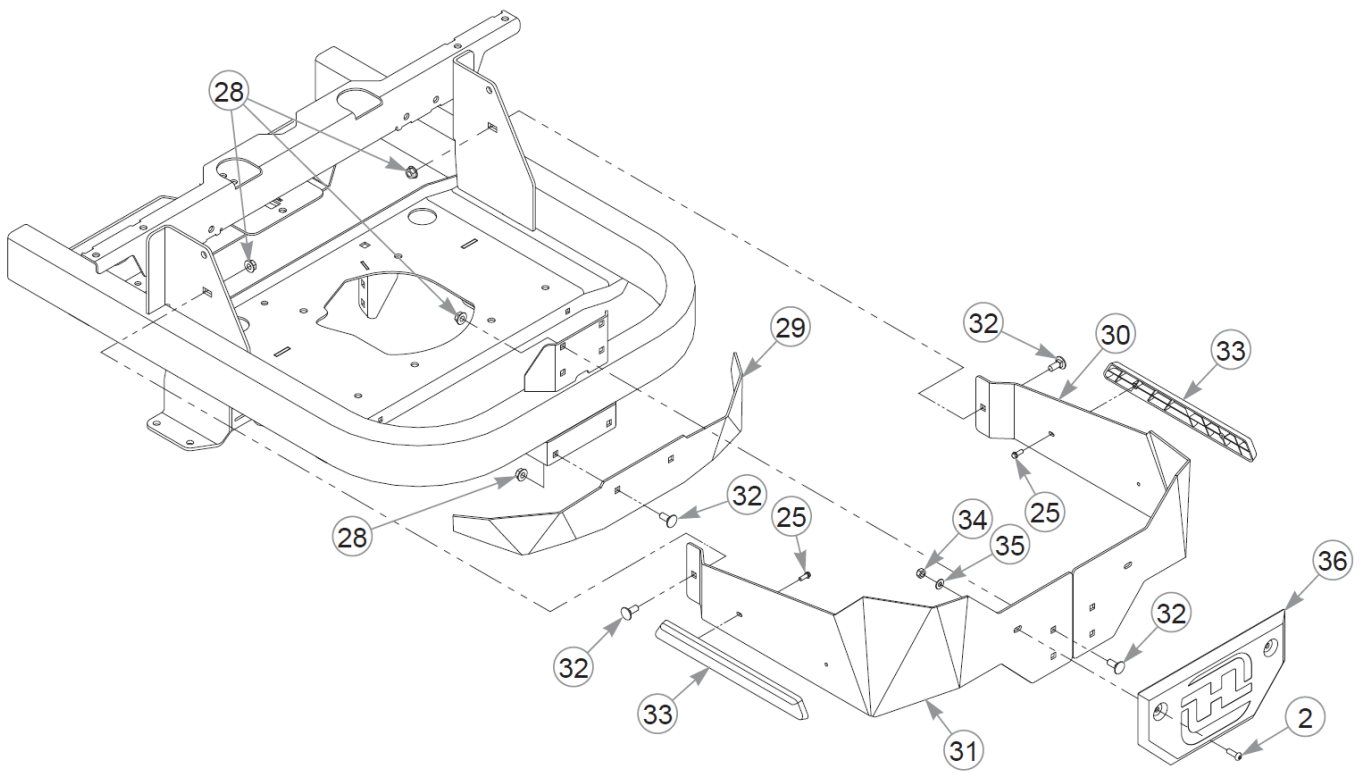
1. Serial number decal. In the event the serial number decal becomes damaged or illegible, please contact your dealer to order a replacement.
2. EPA compliance decal.
3. The frame includes the decals and hardware.



Cette page intentionnellement laissée vierge



Cette page intentionnellement laissée vierge



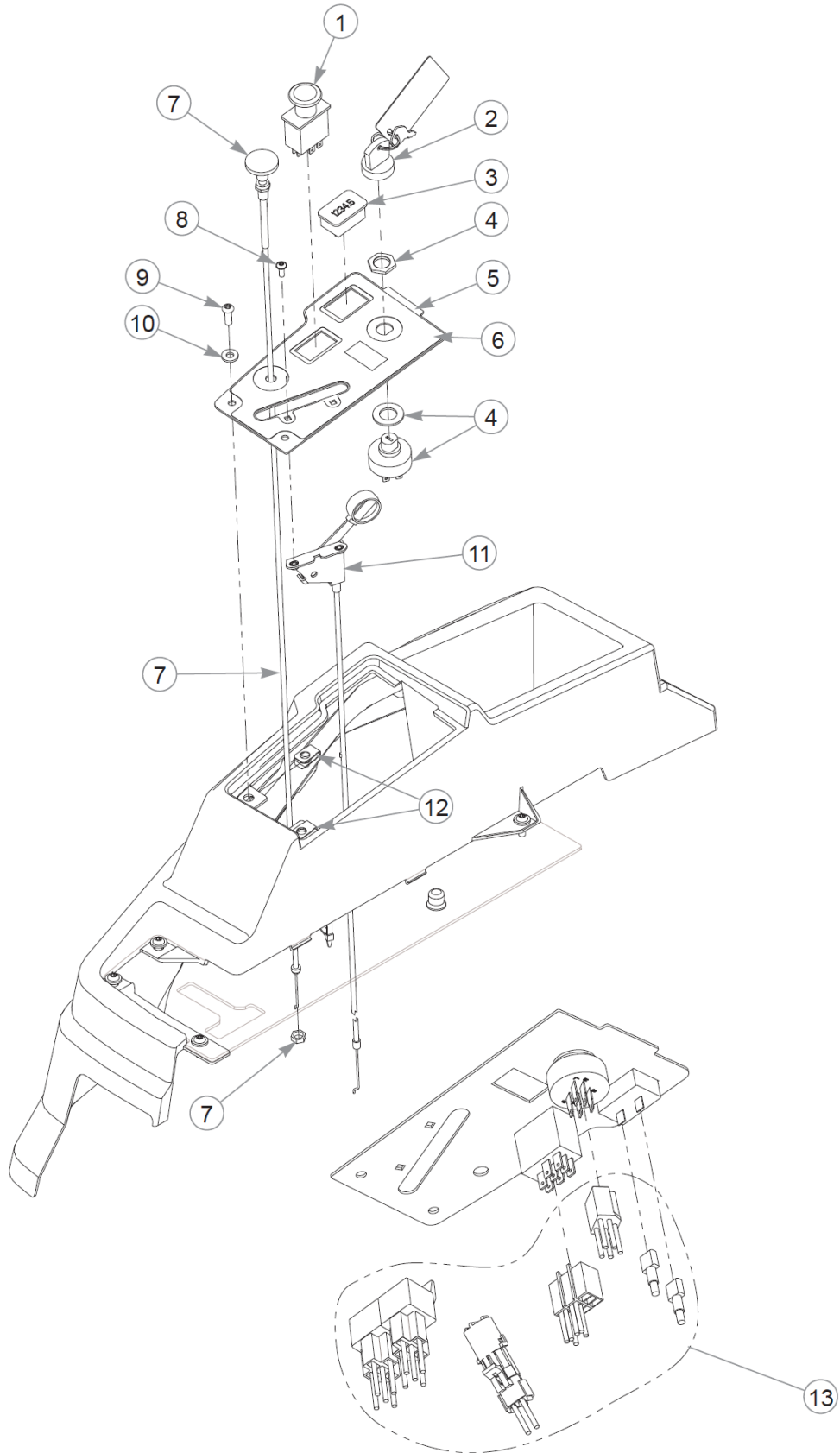
Élément	Numéro de pièce	Qté	Nom
1	607862	1	FENDER RIGHT
2	605473	12	CS .250-20X0.75 BH TX BZ
3	605628	10	FW 0.281X.63X.07 ZB
4	601982	4	CN .250-20X .150 MAX THK
5	555696	1	SVC, STEERING PLATE RH
Not Shown	555697	1	SVC, STEERING PLATE LH
6	785220	1	DECAL, STEERING R.S.
7	607913	2	HEX NUT CAP, 1/2"
8	058776	2	NT .312-18NLG5
9	607861	1	FENDER LEFT
10	785139	1	DECAL, STEERING L.S.
11	605782	1	DECAL, LEVEL FUEL BLOWM
12	555694	1	SVC, COVER FRONT
13	608095	1	DECAL, HUSTLER
14	055939	2	CS .250-20X0.75 HX G5 ZN
15	768515	3	FW 0.281SAE
16	126380-1	1	FOOTREST
17	555759	1	SVC, FLOOR PAN
18	607868	6	PUSH IN RIVET
19	607864	1	FLOOR MAT
20	056077	1	CS .250-20X1.000HXG5
21	555695	1	SVC, KICK PANEL
22	608093	1	DECAL, RAPTOR XD
23	781880	4	BUMPER, .500x 1.00x .31
24	118900	1	SPACER, DECK LIFT LINK
25	607892	8	CS #10-16 X 0.500 HX FLG
26	794784	2	CB .250-20 X .75 FUL ZN
27	016816	2	NT .250-20FLKG5
28	016832	8	NT .312-18FLKG5
29	607901-6	1	LOWER COVER
30	607903-1	1	ENGINE GUARD RH
31	607902-1	1	ENGINE GUARD LH
32	016253	8	CB .312-18X .750 FUL ZN
33	607906	2	SIDE MOLDING
34	068551	2	NT .250-20 HXZY NL
35	017079	2	FW .250SAE

Cette page intentionnellement laissée vierge

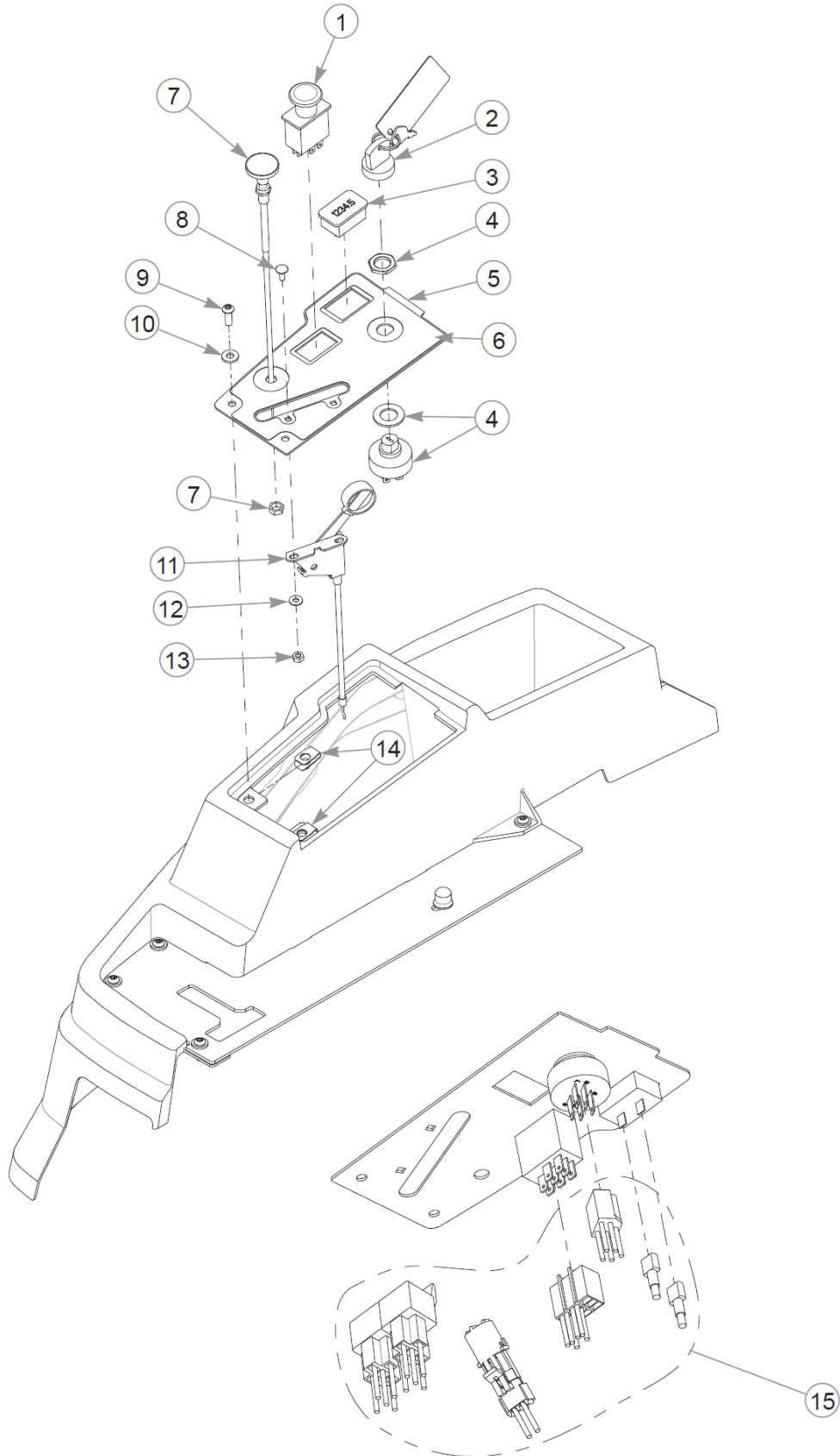
Élément	Numéro de pièce	Qté	Nom
36	607905	1	LOGO BADGE

Comments for Page: Fenders, Floor Pan, Footrest & Engine Guard (Multi-Page)

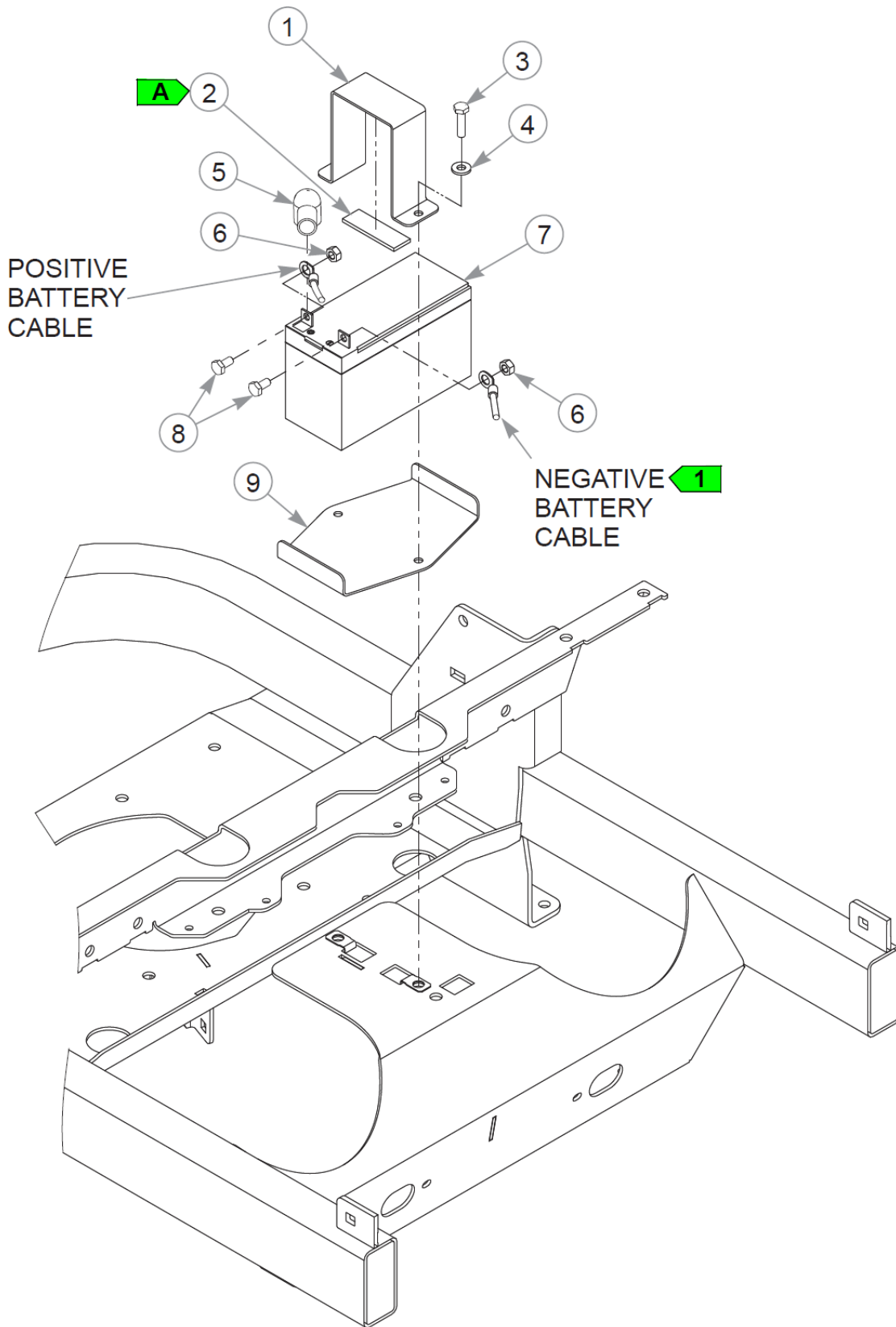
1. Part of the Steering Assembly.
2. The steering plates, front cover, floor pan and kick panel include the decals.



Élément	Numéro de pièce	Qté	Nom
1	776476	1	SWITCH, PTO 6201-321
2	785808	1	KEY ASSEMBLY
3	769166	1	HOUR METER
4	045898	1	IGNITION SWITCH
5	555705	1	SVC, INSTRUMENT PANEL
6	607973	1	DECAL, INST PANEL
7	608191	1	CABLE, CHOKE
8	606851	2	CS 10-24X .500 PH SH ZN
9	605473	2	CS .250-20X0.75 BH TX BZ
10	605628	2	FW 0.281X.63X.07 ZB
11	608190	1	CABLE, THROTTLE
12	601982	2	CN .250-20X .150 MAX THK
13	607950	1	WIRE HARNESS
14	000331	1	WIRE TIE, SMALL/SHORT



Élément	Numéro de pièce	Qté	Nom
1	776476	1	SWITCH, PTO 6201-321
2	785808	1	KEY ASSEMBLY
3	769166	1	HOUR METER
4	045898	1	IGNITION SWITCH
5	555705	1	SVC, INSTRUMENT PANEL
6	607973	1	DECAL, INST PANEL
7	601097	1	CABLE, CHOKE
8	601098	2	CB 10-24 X .500 ZYNC
9	605473	2	CS .250-20X0.75 BH TX BZ
10	605628	2	FW 0.281X.63X.07 ZB
11	601096	1	CABLE, THROTTLE
12	704932	2	FW 0.219X.50X.05 ZN
13	059832	2	NT #10-24 HX NL ZN
14	601982	2	CN .250-20X .150 MAX THK
15	607950	1	WIRE HARNESS



Battery

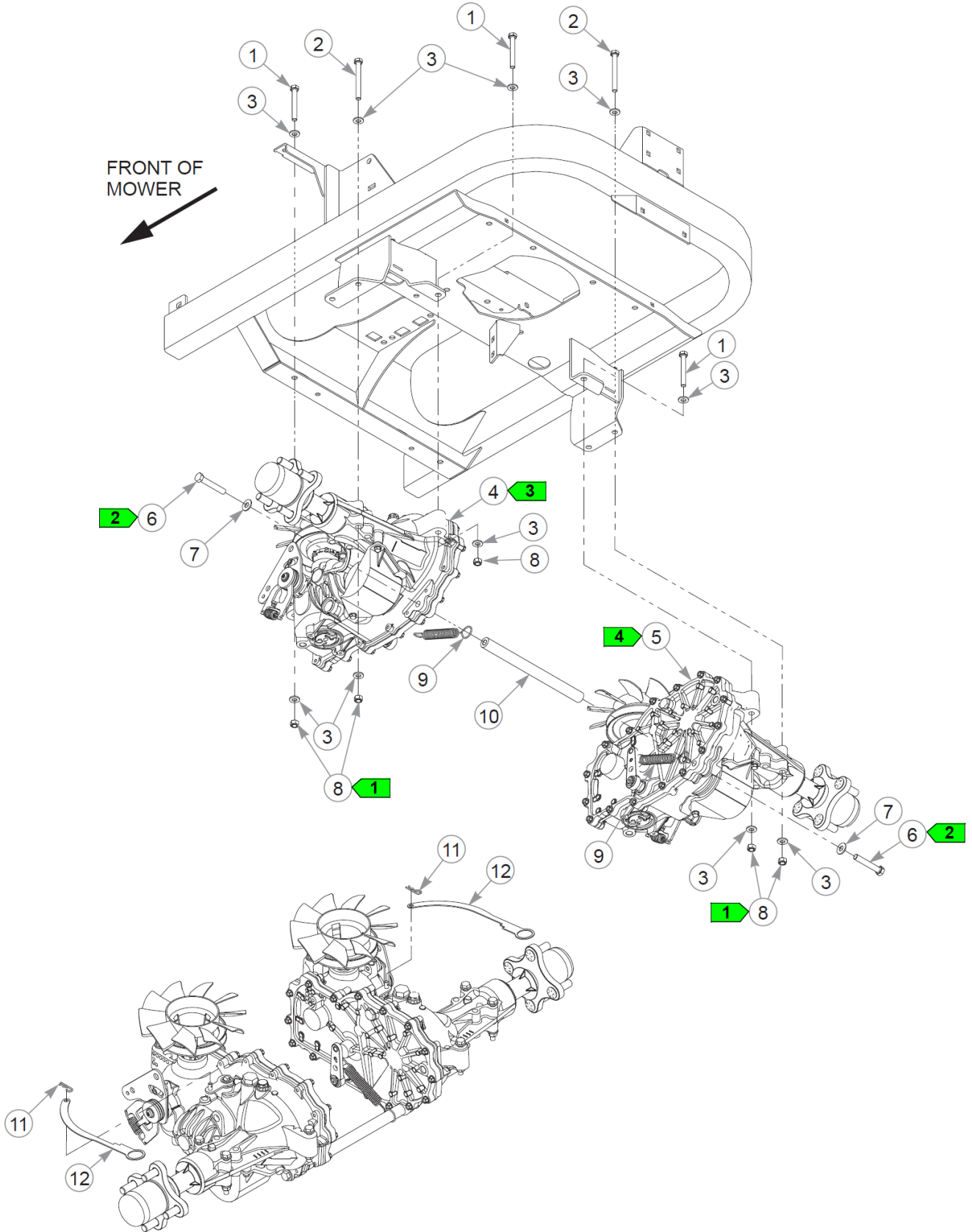
Élément	Numéro de pièce	Qté	Nom
1	126384-1	1	BATTERY HOLD DOWN
2	033035	2.35"	WEATHERSTRIP .12X.75
3	056077	2	CS .250-20X1.000HXG5
4	768515	2	FW 0.281SAE
5	601319	1	POS. BATTERY CABLE BOOT
6	024927	2	NT .250-20HXG5
7	607723	1	BATTERY, AGM 12V 9AMH
8	055947	2	CS .250-20X0.50 HX G5 ZN
9	126383-1	1	BATTERY BASE

Comments for Page: Battery

1. When performing service on the mower, disconnect the negative battery cable (black) and do not reconnect it to the battery until ready to start the engine.

WEATHERSTRIP LENGTH

A: 2.35"

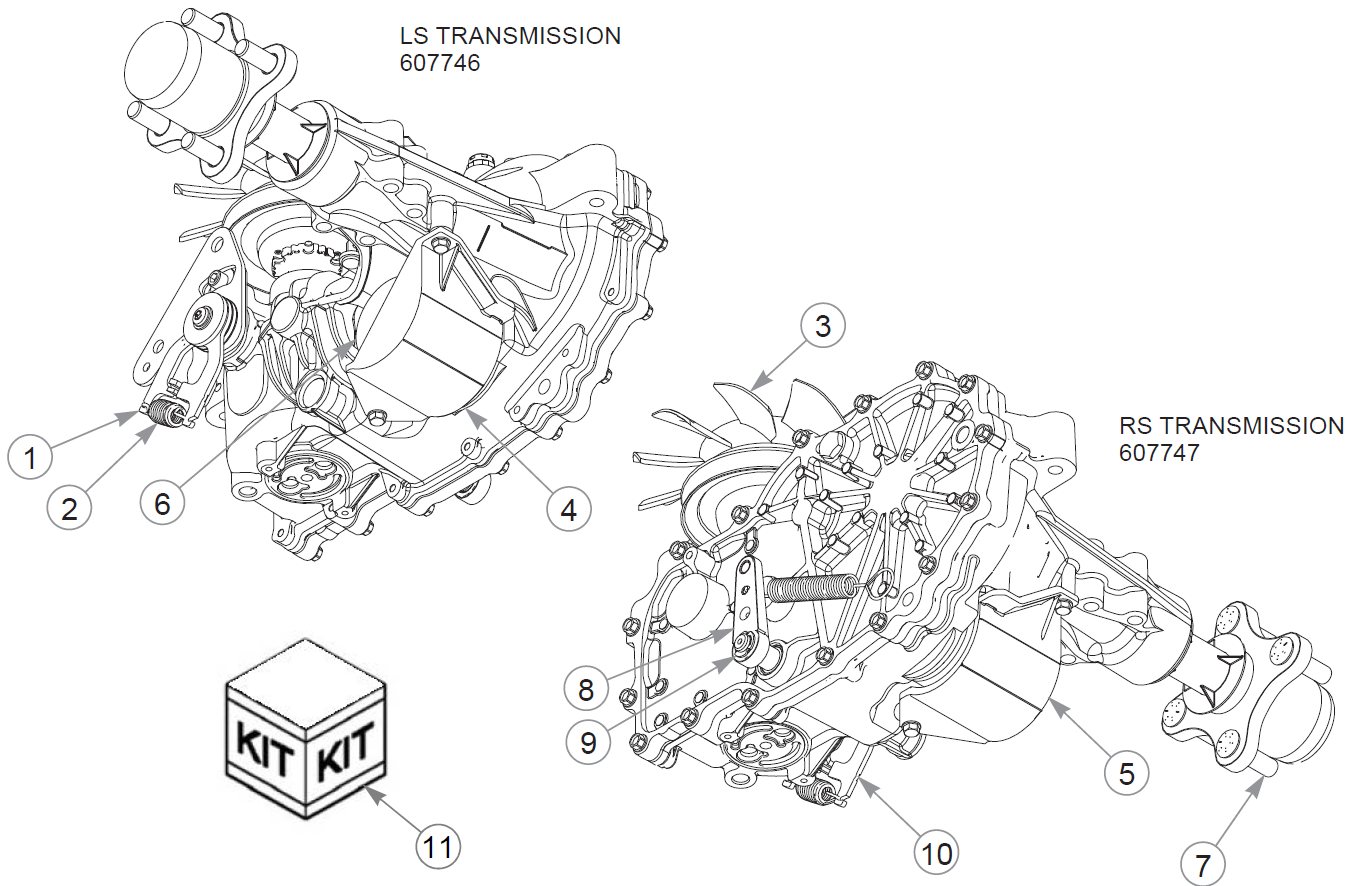


Transmissions

Élément	Numéro de pièce	Qté	Nom
1	710087	4	CS .312-18X2.500HXG5
2	043067	4	CS .312-18X3.000HXG5
3	768523	16	FW 0.343SAE
4	607746	1	ZT2800, 20.69:1 TRANS
5	607747	1	ZT2800, 20.69:1 TRANS
6	608241	2	CS .375-16X2.250HXG8
7	712919	2	FW 0.406X1.00X.12 HD ZN
8	058776	8	NT .312-18NLG5
9	607944	2	SPRING, BRAKE BIAS
10	607836	1	TORSION ROD, RSD
11	706549	2	HP0.080X1.190
12	607826-1	2	LINK, TOW VALVE

Comments for Page: Transmissions

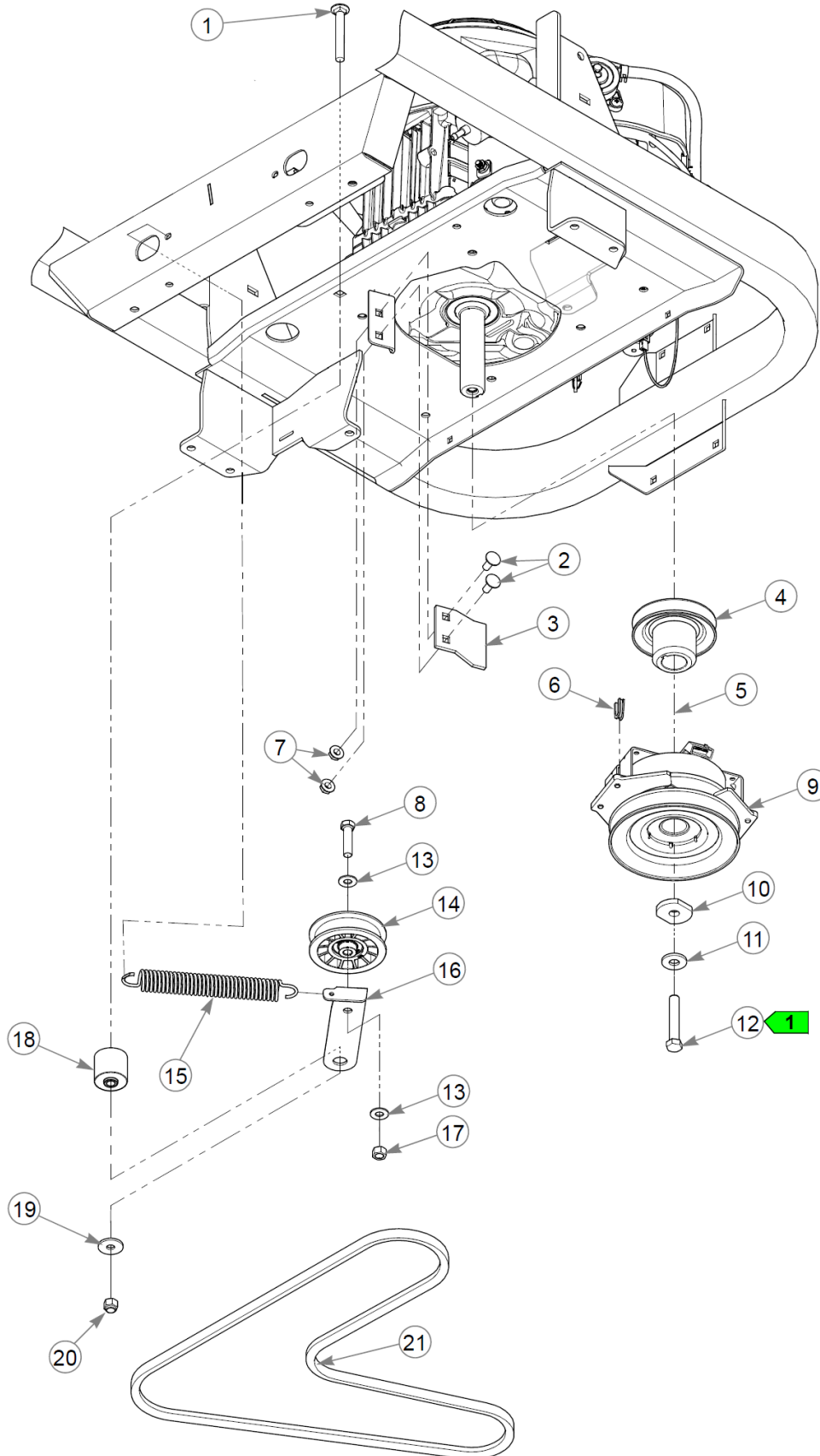
1. Torque to 23 N•m.
2. Torque to 60 N•m.
3. Left side transmission.
4. Right side transmission.



Transmission Service Parts

Élément	Numéro de pièce	Qté	Nom
1	604902	1	HG RTN CCW
2	604903	1	HG RTN SPRING
3	601941	1	FAN/PULLEY KIT
4	600975	1	GUARD, TRANS FILTER
5	600974	1	GUARD, TRANS FILTER
6	600976	1	HYDRAULIC OIL FILTER
7	601433	1	KIT, HUB 4 BOLT
Commentaires pour le numéro de pièce 601433			
CUSTOMER SERVICE NOTE: Lug Studs are not sold separately.			
8	601221	1	ZT2800 BRAKE ARM - 2007
9	600972	1	CLIP, RETAINING
10	604903	1	HG RTN SPRING
11	607199	1	SEAL KIT 72994 HYDRO-G

Drive Belt & Clutch

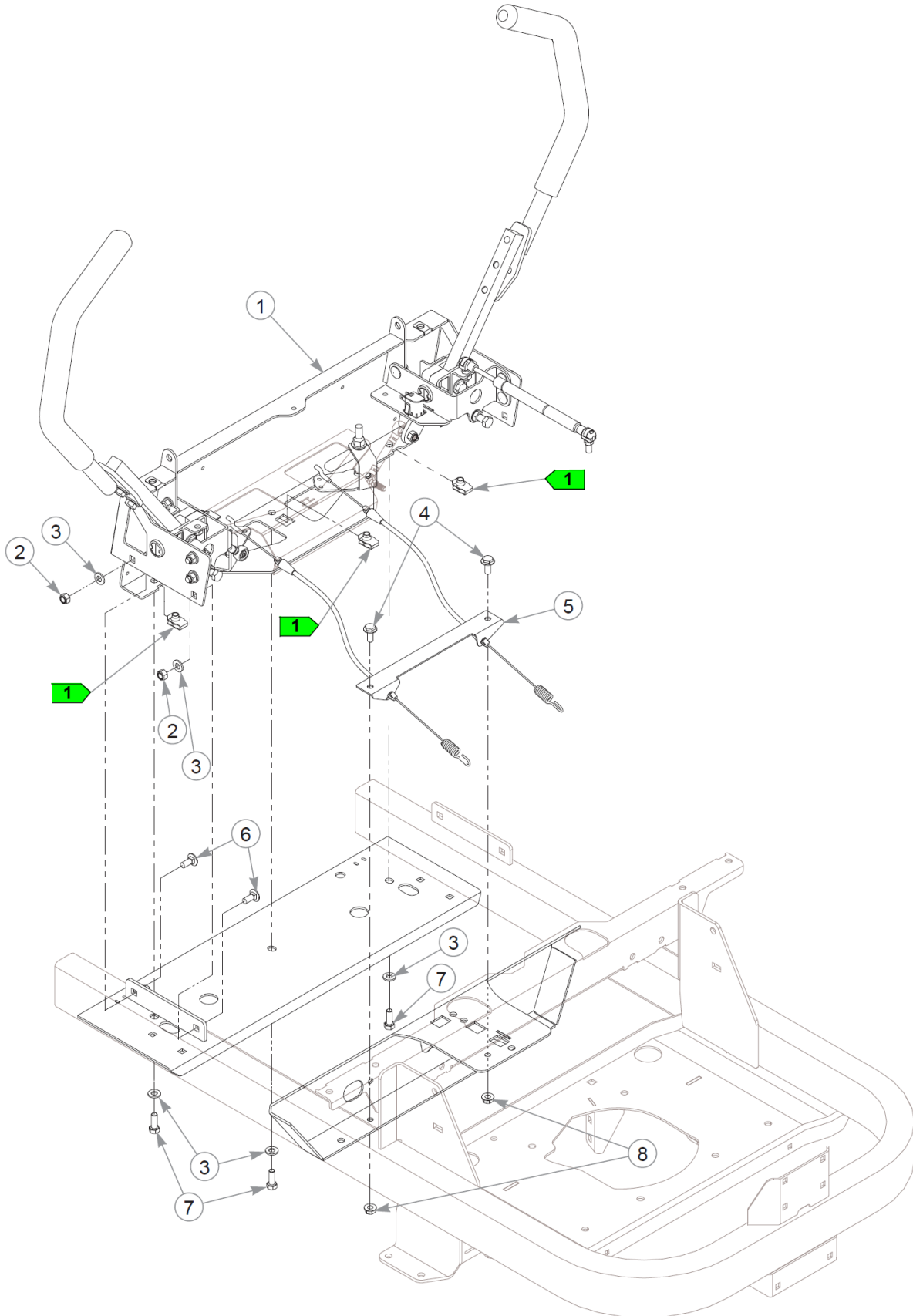


Drive Belt & Clutch

Élément	Numéro de pièce	Qté	Nom
1	601887	1	CB .375-16 X 2.75 STD ZN
2	016253	2	CB .312-18X .750 FUL ZN
3	126203-1	1	CLUTCH ANCHOR
4	607761	1	PULLEY, ENG 4.118OP
5	712372	1	KEY 1/4 SQ X 0.66 LG(FS)
6	607827	1	BUSHING, CLUTCH
7	016832	2	NT .312-18FLKG5
8	080655	1	CS .375-16X1.500HXG5
9	607757K	1	KIT, CLUTCH
10	607828	1	FW .468X1.625X.25 DD
11	602680	1	FW .453X1.12X.12 HRD ZN
12	785659	1	CS .437-20X2.50 HXG5 P85
13	767954	2	FW 0.379X.82X.06 HD ZN
14	607163	1	PULLEY, 3" FLAT POLY
15	607585	1	SPRING, EXTENSION
16	607837	1	TENSIONER
17	054502	1	NT .375-16HXG5
18	607763	1	SPACER, PIVOT IDLER
19	712893	1	FW 0.406X1.25X.12 HD ZN
20	086660	1	NT .375-16NLG8
21	607830	1	DRIVE BELT

Comments for Page: Drive Belt & Clutch

1. Torque the cap screw to 61–65 N•m.

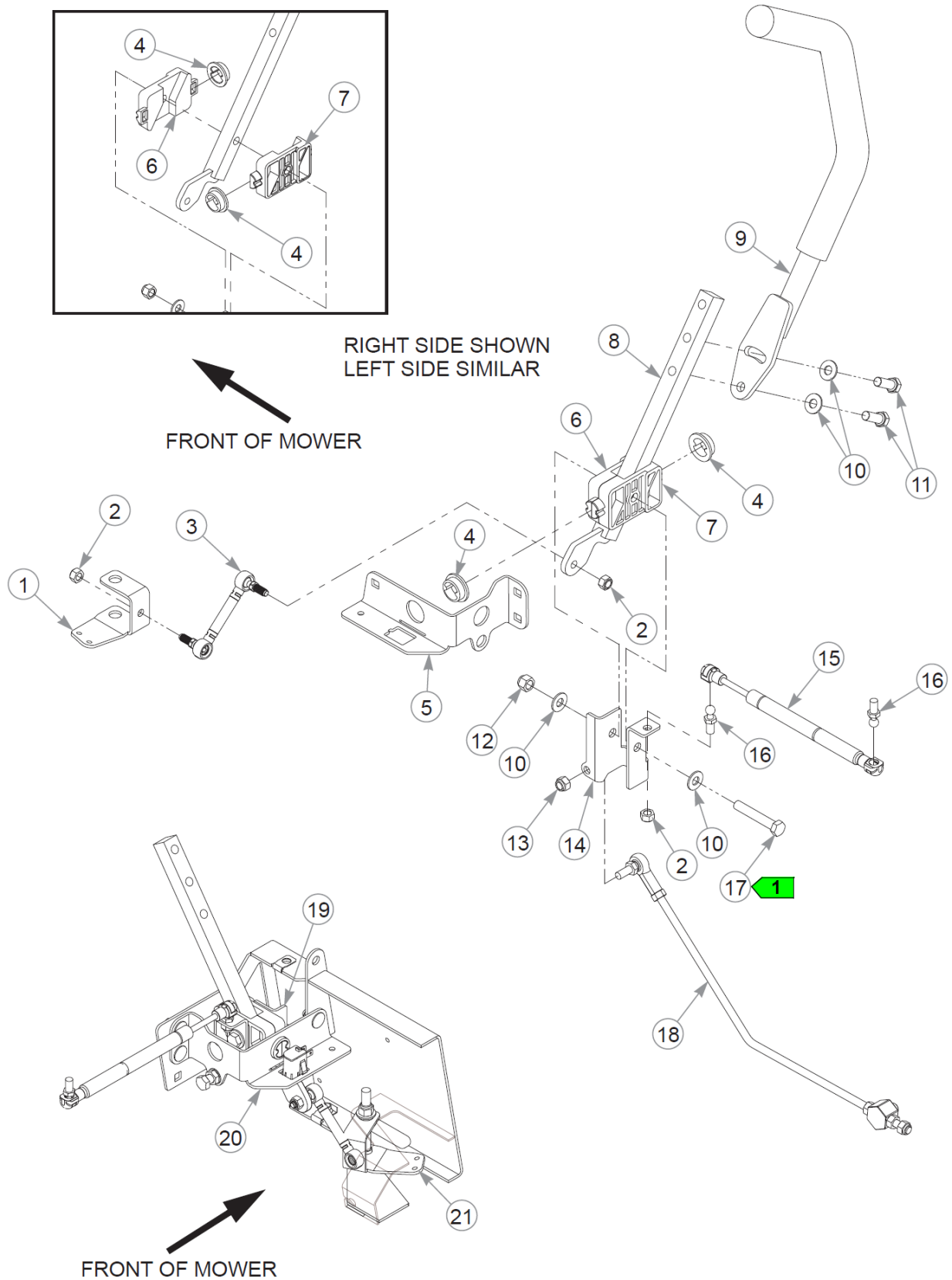


Steering & Brake

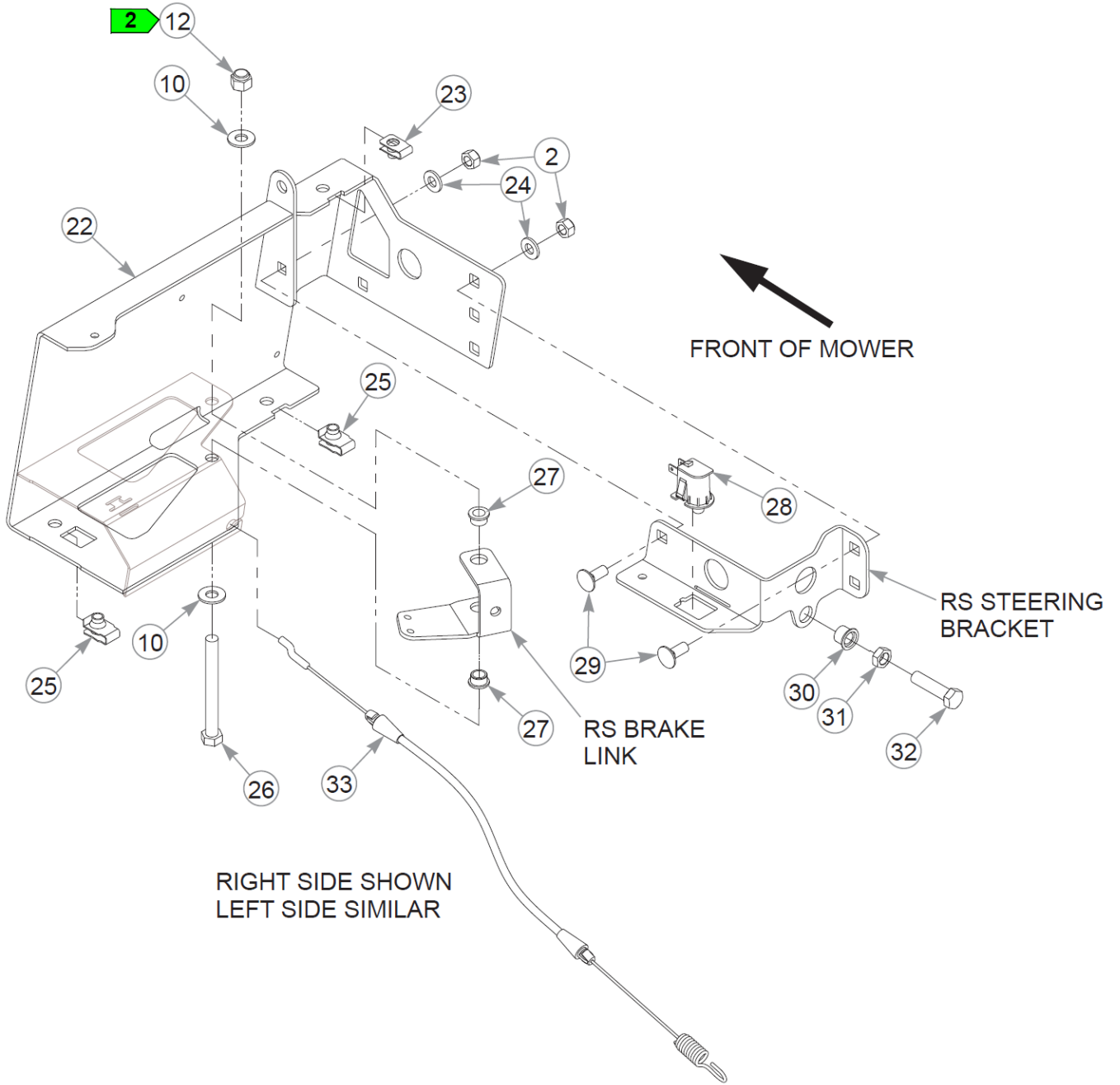
Élément	Numéro de pièce	Qté	Nom
1	N/A	1	REFER TO "STEERING ASSEMBLY"
2	058776	4	NT .312-18NLG5
3	768523	7	FW 0.343SAE
4	016253	4	CB .312-18X .750 FUL ZN
5	606575	2	CLIP, SAFETY
6	064014	3	CS .312-18X0.875HXG5
7	029710	2	CS .312-18X .750 HXFLK
8	126365-1	1	MOUNTING BRKT BRAKE CABL
9	016832	2	NT .312-18FLKG5

Comments for Page: Steering & Brake

1. Part of the Steering Assembly.



Cette page intentionnellement laissée vierge



Steering Assembly (Multi-Page)

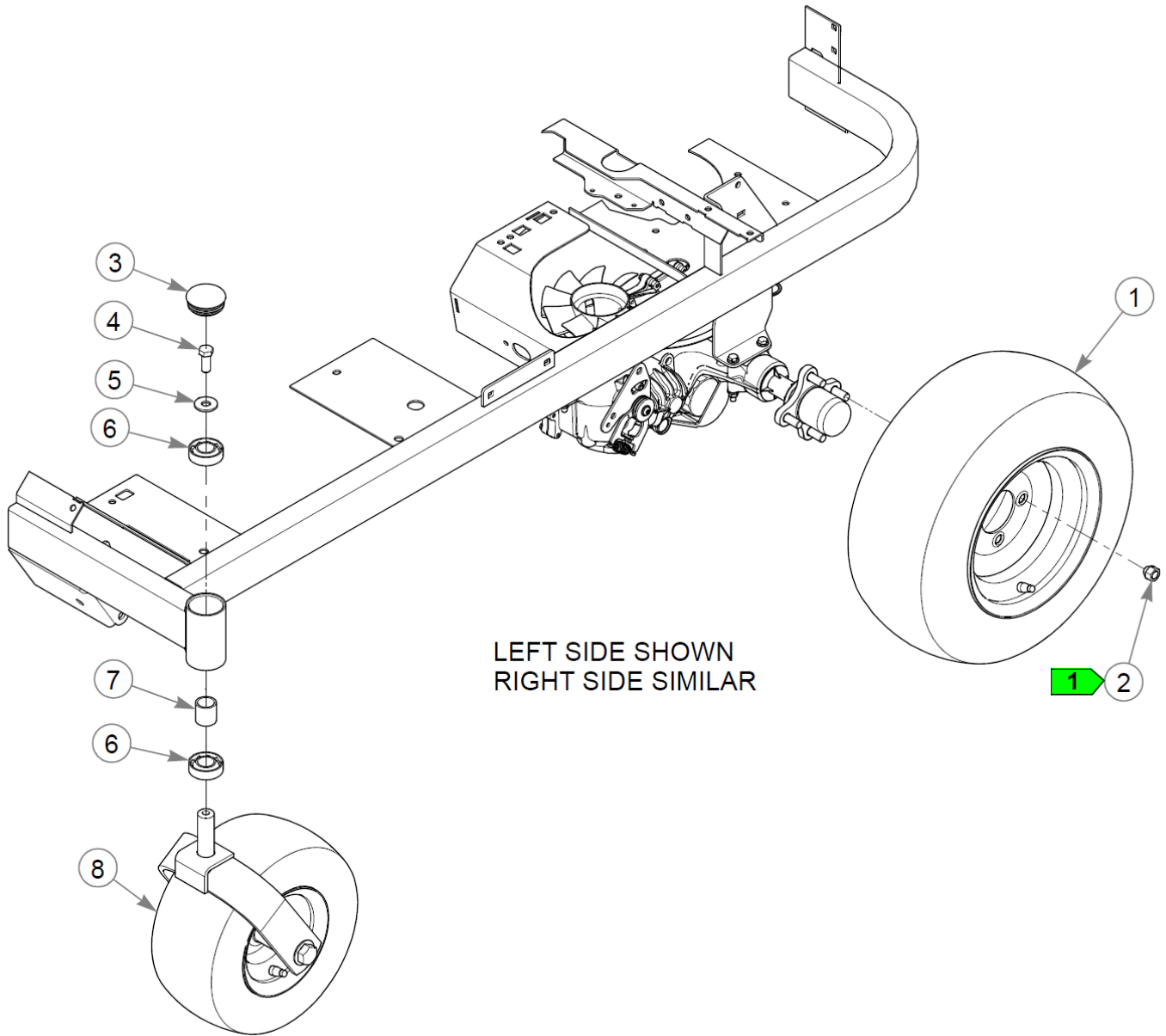
Élément	Numéro de pièce	Qté	Nom
1	126362-1	1	BRAKE CRANK RIGHT
2	058776	12	NT .312-18NLG5
3	604179	2	BRAKE LINK
4	607078	4	STEERING BUSHING
5	126360-1	1	STEERING BRACKET RIGHT
6	607077	2	STEERING BLOCK A
7	607076	2	STEERING BLOCK B
8	607957-4	2	STEERING LEVER W/A
9	607069	2	STEERING BAR W/A
Not Shown	781260	1	GRIP, STEERING BAR
10	767954	12	FW 0.379X.82X.06 HD ZN
11	036244	4	CS .375-16X1.00 HX G5 ZN
12	086660	4	NT .375-16NLG8
13	023655	2	NT 0.312-24 NL G8
14	126361-1	1	STEERING LINKAGE MOUNT
15	603983	2	DAMPER
16	781922	4	BALL STUD
17	056036	2	CS .375-16X2.250HXG5
18	607938	2	STEERING ROD S/A
19	126359-1	1	STEERING LINKAGE LEFT
20	126358-1	1	STEERING BRKT LH
21	126363-1	1	BRAKE CRANK LEFT
22	126357-6	1	STEERING COVER W/A
23	601982	2	CN .250-20X .150 MAX THK
24	768523	6	FW 0.343SAE
25	601069	3	CN .312-18x.200 MAX THK
26	005108	2	CS .375-16X3.500HXG5
27	765339	4	BUSHING,IGUS#0608 (FS)
28	793315	2	SWITCH, SNAP MOUNT
29	016253	6	CB .312-18X .750 FUL ZN
30	808493	2	RIVET NUT, 3/8-16 THREA
31	706168	2	NT .375-16JAMG5
32	604365	2	CS .375-12X1.50 HX G5 ZN
33	607965	2	BRAKE CABLE

Comments for Page: Steering Assembly (Multi-Page)

Steering Assembly (Multi-Page)

1. Torque to 11 ft-lbs.
2. Do not torque; the brake bell crank must pivot freely.
2. The steering arms include the grips.

Cette page intentionnellement laissée vierge



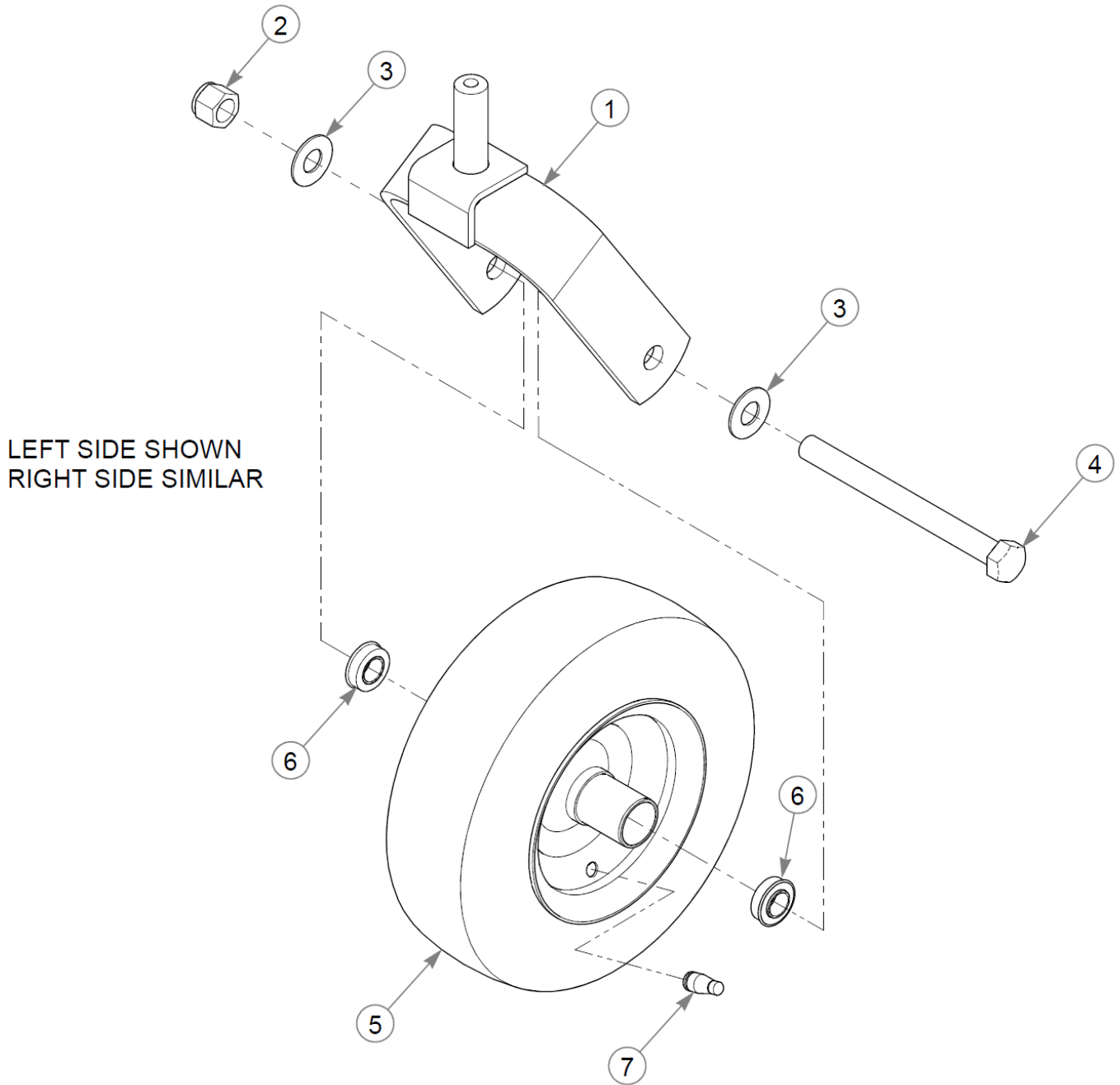
Wheels & Tires

Élément	Numéro de pièce	Qté	Nom
1	607815	2	TIR/WHL 20X8.00-10 BLK
2	061077	8	WHEEL NUT
3	607831	2	BEARING CAP
4	705954	2	CS .500-13X1.25 HX G5 ZN
5	712976	2	FW 0.531X1.38X.12 ZN
6	784223	4	BEARING
7	784603	2	SPACER
8	N/A	2	REFER TO "FRONT WHEEL ASSEMBLY"

Comments for Page: Wheels & Tires

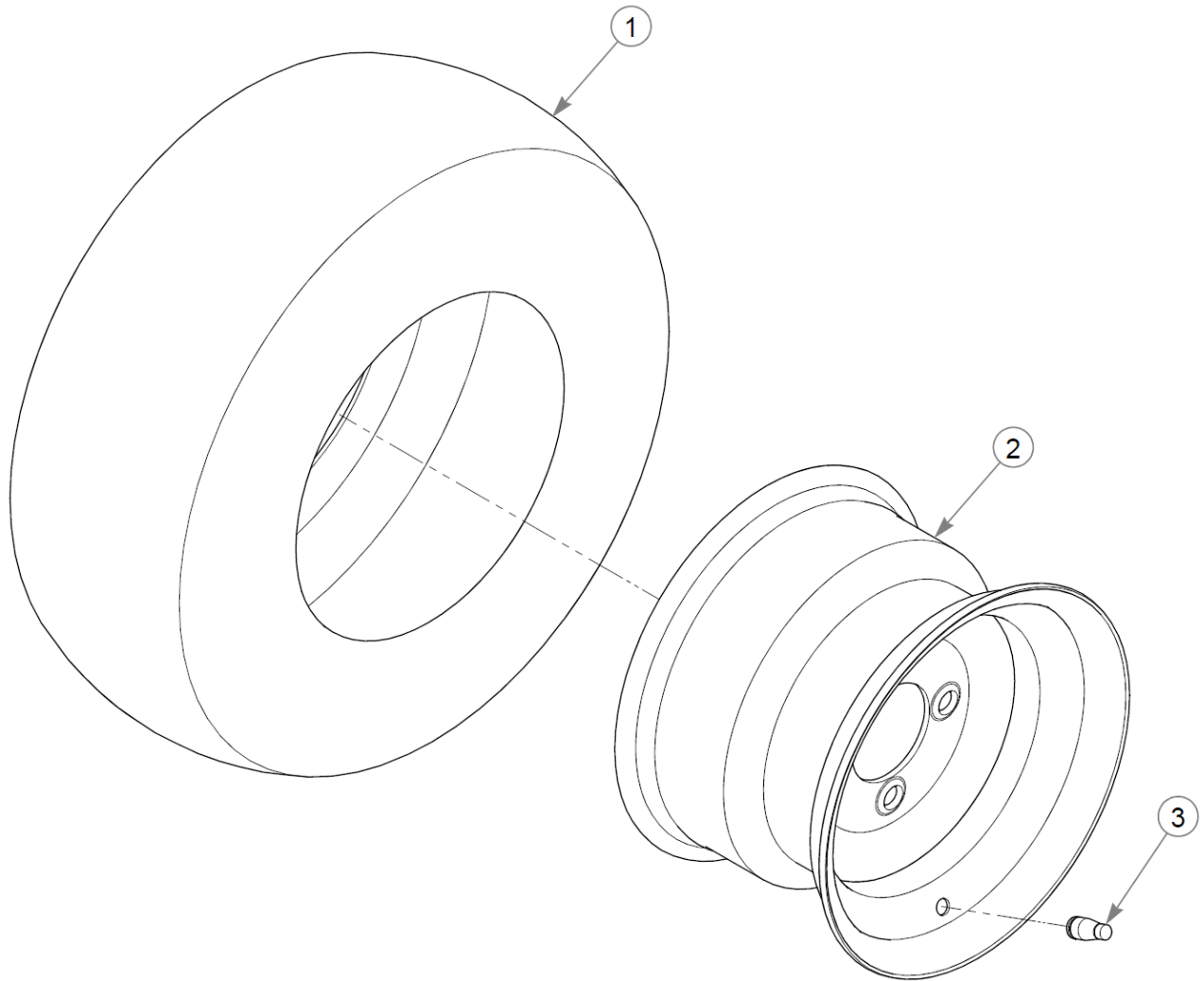
1. Torque to 88–102 N•m.

Front Wheel Assembly



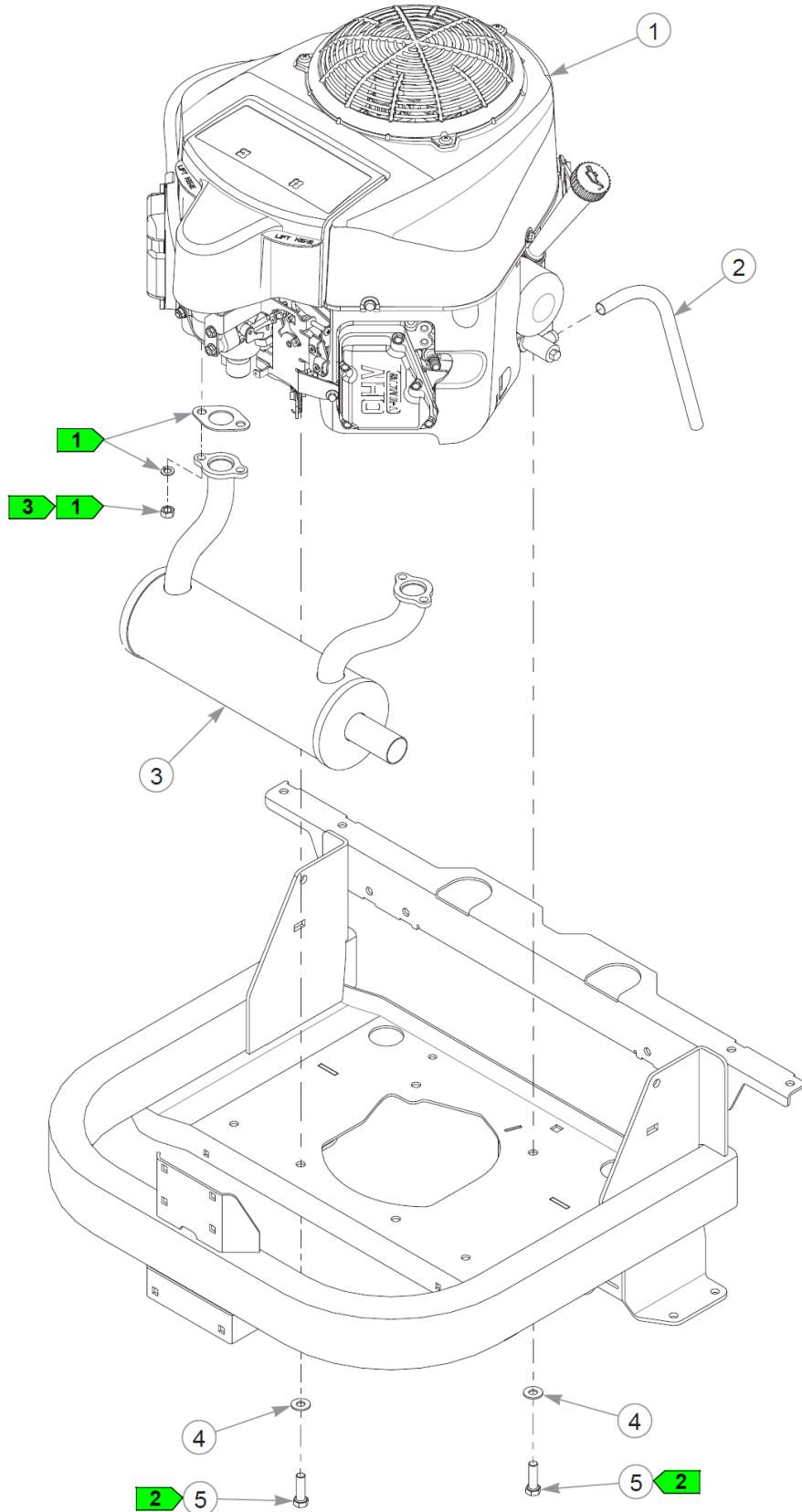
Front Wheel Assembly

Élément	Numéro de pièce	Qté	Nom
1	605042	1	FORK W/A, 13X5
2	061101	1	NT .750-10 HX ZN NL GR B
3	025296	2	FW .760X1.63X0.08 ZN
4	786731	1	CS .750-10X8.000HXG5
5	608139	1	TIR/WHL 13X5.00-6 BLK
6	607026	2	BEARING, BALL SEALED
7	019521	1	TIRE VALVE TR-412 GOODY

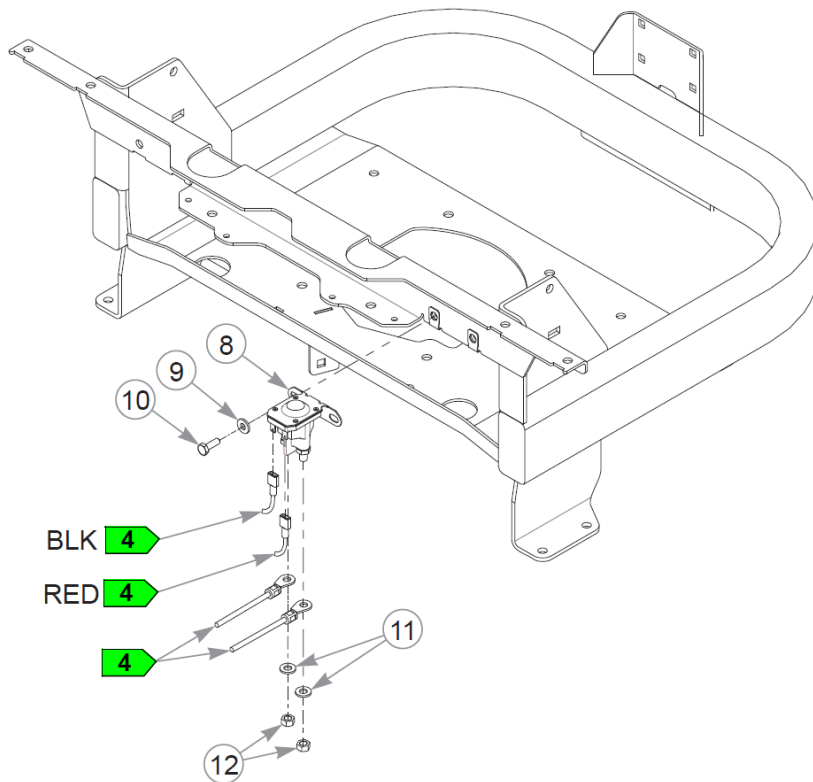
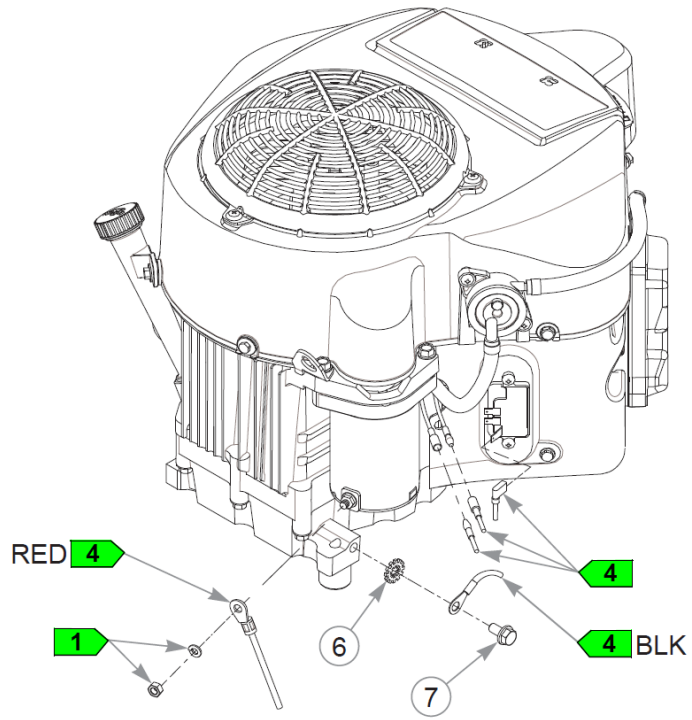


Drive Wheel Breakdown

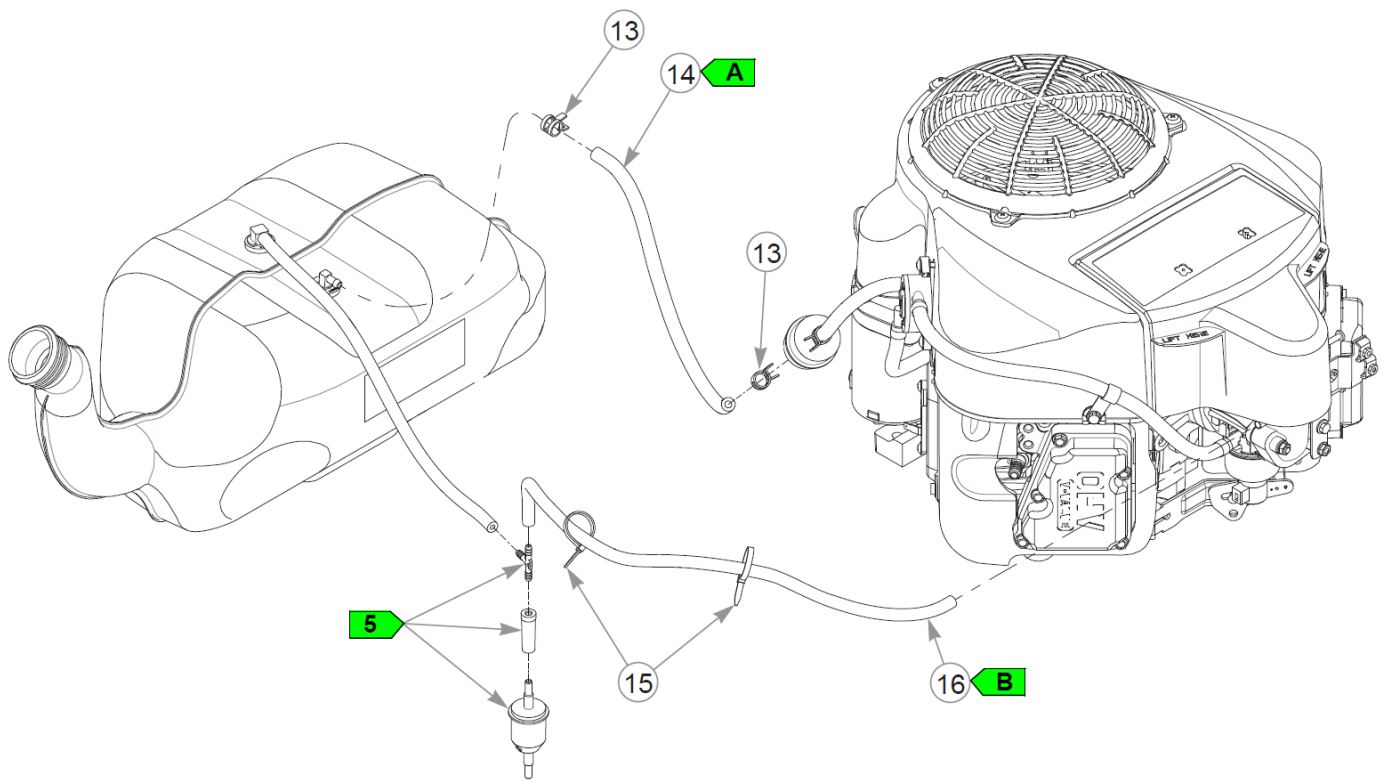
Élément	Numéro de pièce	Qté	Nom
1	607798	1	TIR 20X8.00-10 B4R BGBT
2	605034	1	WHL 10X7.00 4X4.0 BLK
3	019521	1	TIRE VALVE TR-412 GOODY



Cette page intentionnellement laissée vierge



Cette page intentionnellement laissée vierge



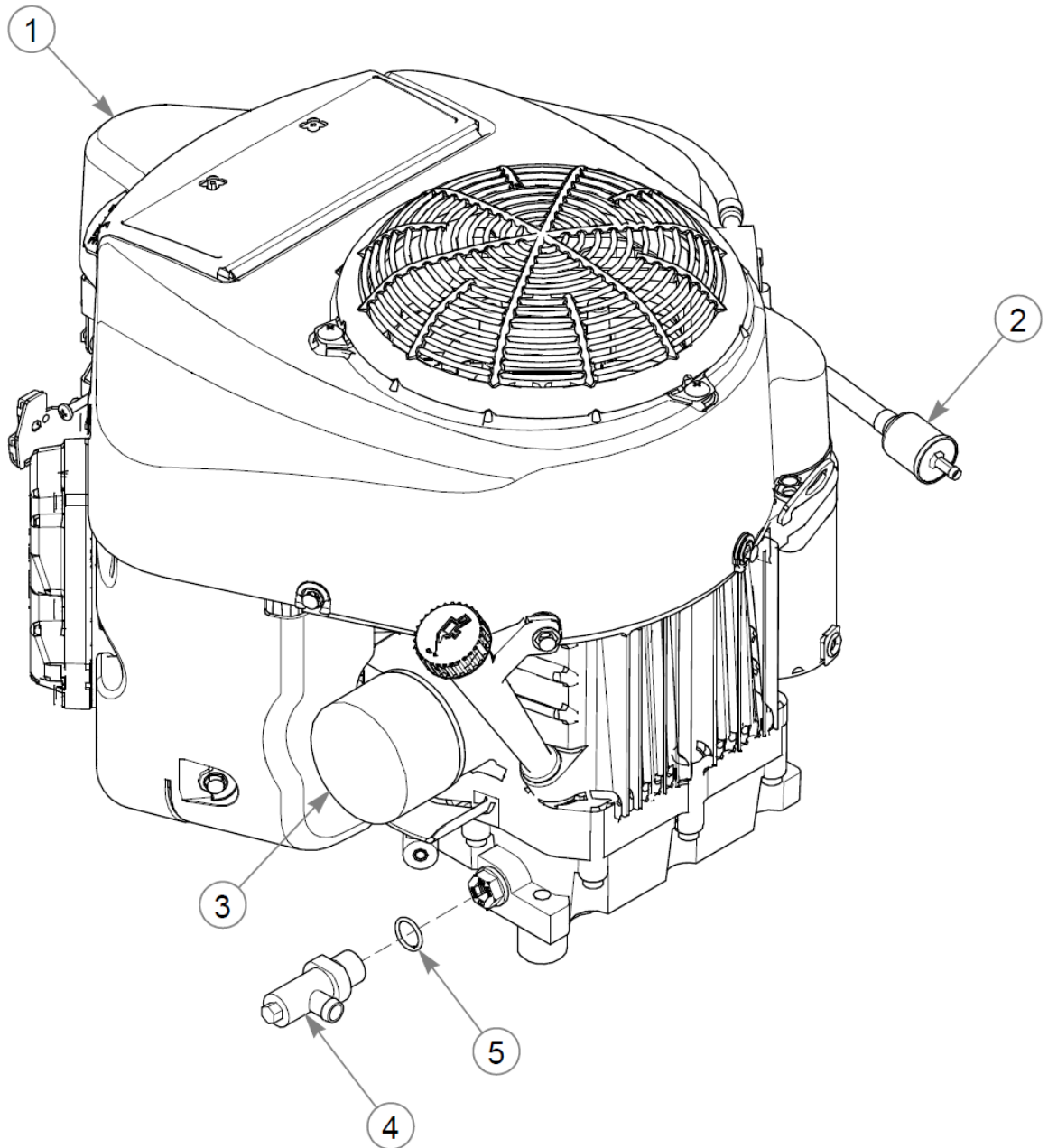
Élément	Numéro de pièce	Qté	Nom
1		1	ENGINE, KAW FR691V
2	604463	1	HOSE, OIL DRAIN
3	607854	1	MUFFLER
4	767954	4	FW 0.379X.82X.06 HD ZN
5	602580	4	CS .375-16X1.25HXG8ZYP85
6	029876	1	LW .312 INTEXT ZN
7	720516	1	CS M8-1.25X16HX FL10.9
8	606445	1	STARTER SOLENOID
9	768515	4	FW 0.281SAE
10	055939	2	CS .250-20X0.75 HX G5 ZN
11	768523	1	FW 0.343SAE
12	041152	2	NT 0.312-24 HX G8
13	000323	2	CLIP, HOSE CLAMP
14	015818	13"	FUEL LINE, 1/4"
Commentaires pour le numéro de pièce 015818 Sold by the foot.			
15	000331	2	WIRE TIE, SMALL/SHORT
16	603326	25"	VAPOR LINE, 3/16"
Commentaires pour le numéro de pièce 603326 Sold by the foot.			

Comments for Page: Engine & Muffler (Multi-Page)

1. Supplied with the engine.
2. Torque to 41–47 N•m. Replace (do not reuse) the cap screw if it is removed or loosened. Use only hand tools to install this fastener.
3. Torque to 23 N•m.
4. Part of the wire harness.
5. Part of the fuel system.
6. Make sure the throttle lever is in the full throttle detent position.

FUEL & VAPOR LINE LENGTHS

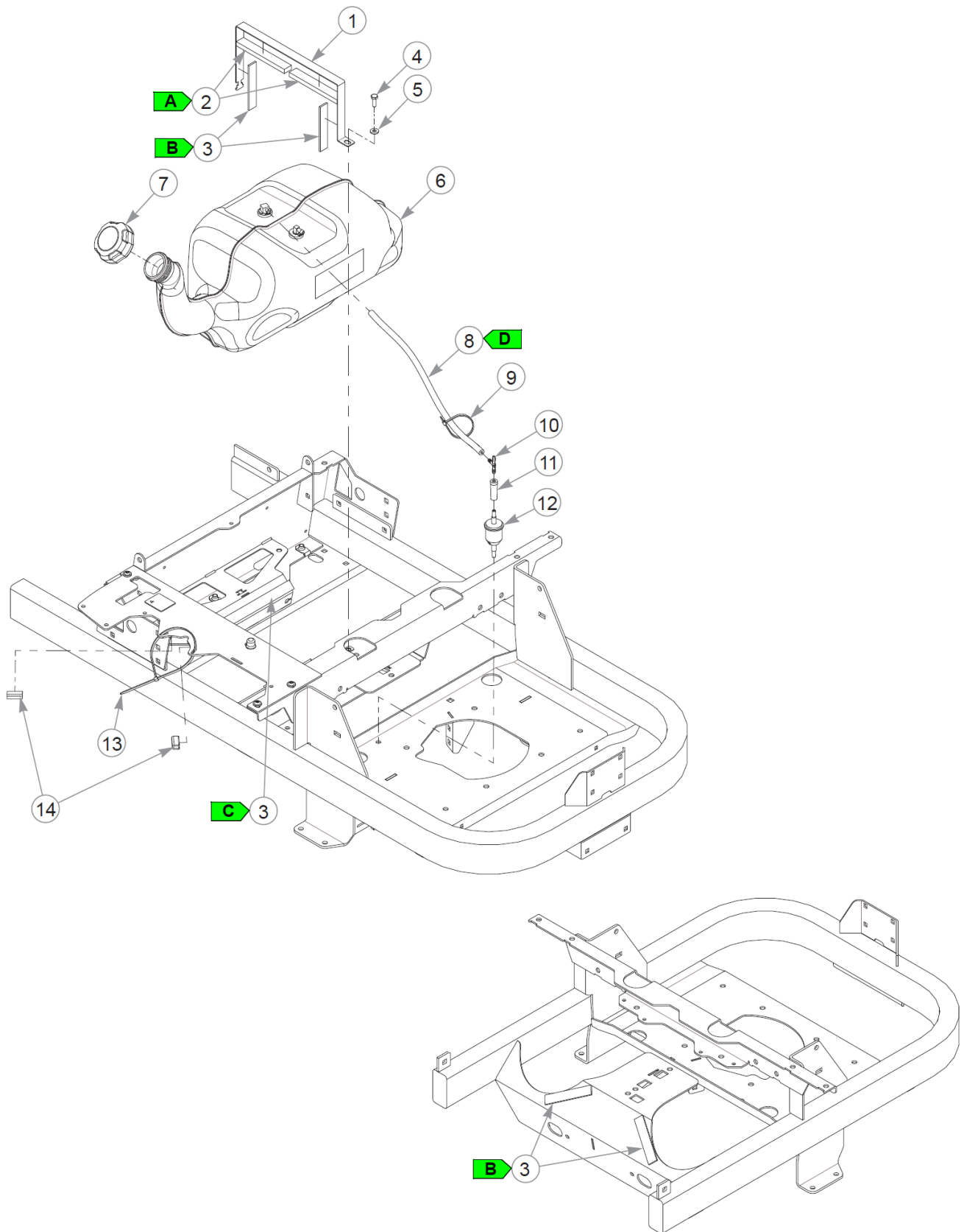
- A: 33 cm TANK TO FUEL FILTER (FUEL)
- B: 64 cm ENGINE TO TEE (VAPOR)



Engine Service Parts - FR651V

48" Raptor XD Parts Manual - 940510CE - HTRXDS048KAWFR691VC

Élément	Numéro de pièce	Qté	Nom
1	603059	1	AIR FILTER - MAIN
2	068478	1	FUEL FILTER - IN LINE
3	602581	1	ENGINE OIL FILTER
4	604350	1	VALVE, OIL DRAIN
5	604369	1	O-RING



Fuel System

Élément	Numéro de pièce	Qté	Nom
1	126202-1	1	YELLOW, TANK MOUNT
2	713198	10"	SEAL 3/8x3/4 SOLD BY FT
3	608040	23.5"	RUBBER STRIP
4	055939	1	CS .250-20X0.75 HX G5 ZN
5	768515	1	FW 0.281SAE
6	607745	1	FUEL TANK ASSY
7	607731	1	CAP - 2.25" KELCH
8	603326	16.5"	VAPOR LINE, 3/16"
<p>Commentaires pour le numéro de pièce 603326</p> <p>Sold by the foot.</p>			
9	000331	1	WIRE TIE, SMALL/SHORT
10	605690	1	TEE, 3/16" PLASTIC
11	605564	1	BOOT, 3/16 TO 3/16
12	604323	1	VAPOR SYSTEM FILTER
13	000430	1	WIRE TIE, SMALL/LONG
14	604966	2	TRIM LOCK, 1.13"

Comments for Page: Fuel System

SEAL/RUBBER STRIP LENGTH

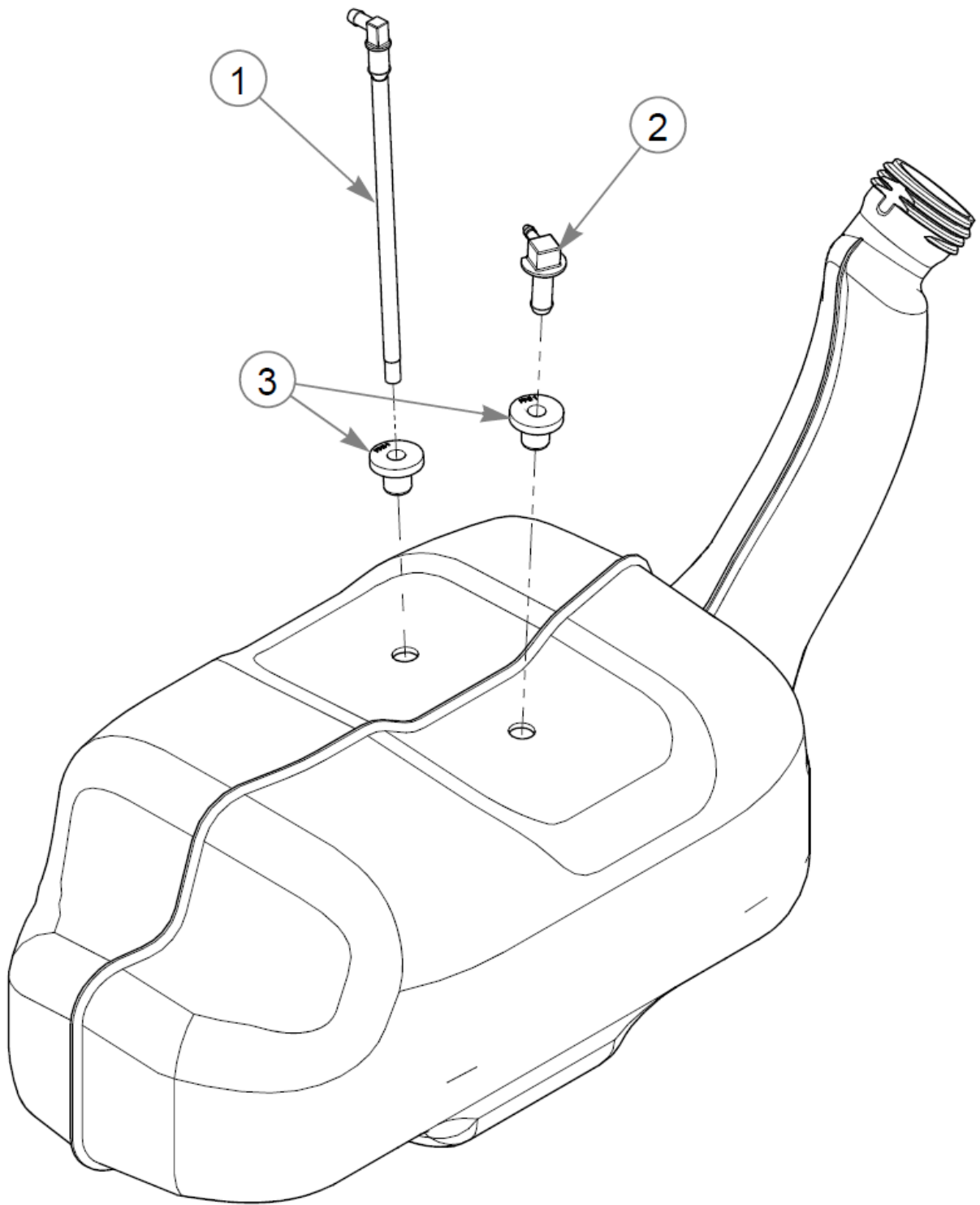
A: 13 cm

B: 10 cm

C: 19 cm

VAPOR LINE LENGTH

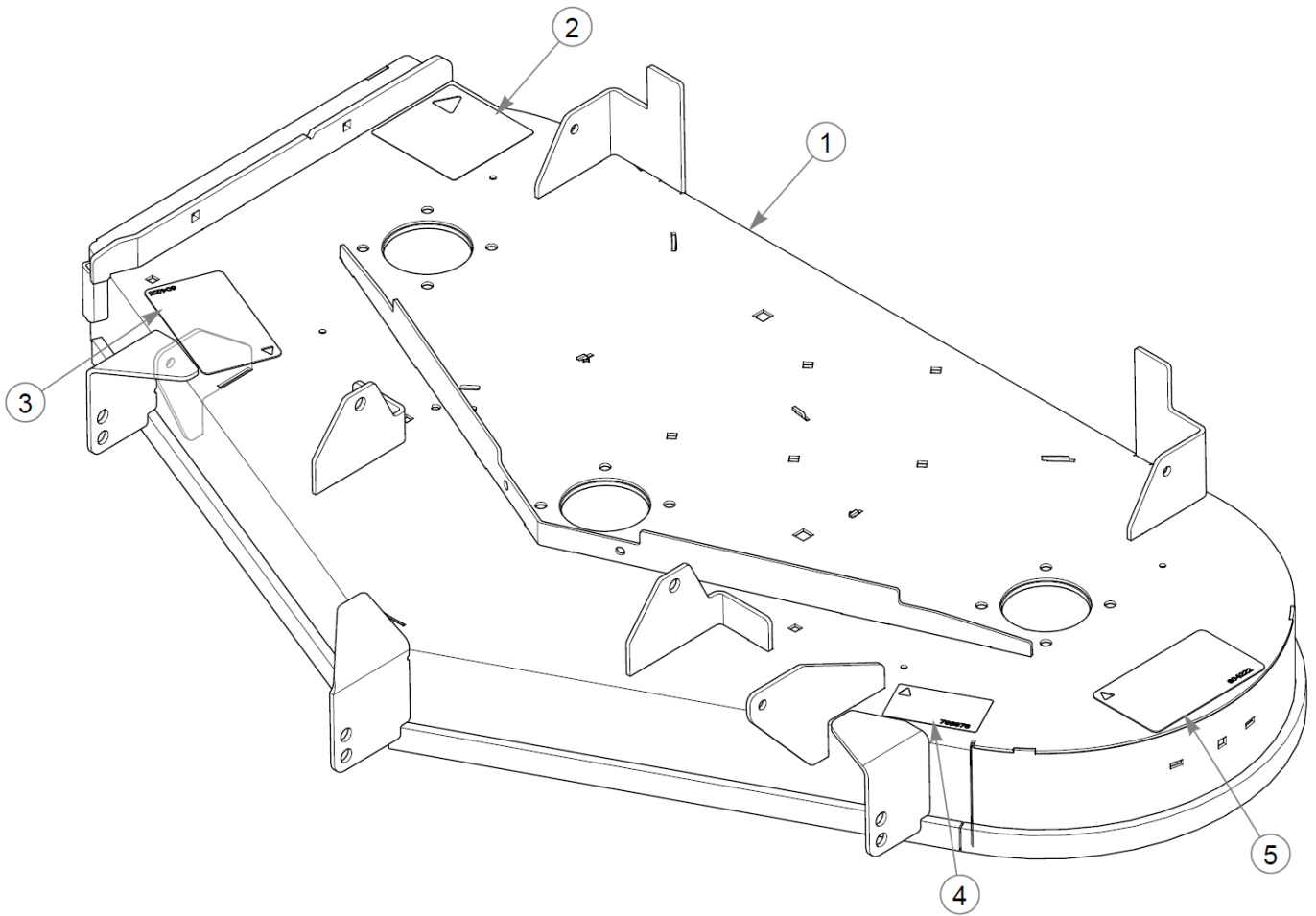
D: 42 cm TANK TO VAPOR TEE (VAPOR)



Fuel Tank Service Parts - 607745

48" Raptor XD Parts Manual - 940510CE - HTRXDS048KAWFR691VC

Élément	Numéro de pièce	Qté	Nom
1	605126K	1	SUCTION HOSE SVC KIT
2	604287K	1	VENT FITTING SVC KIT
3	604200K	2	GROMMET SVC KIT

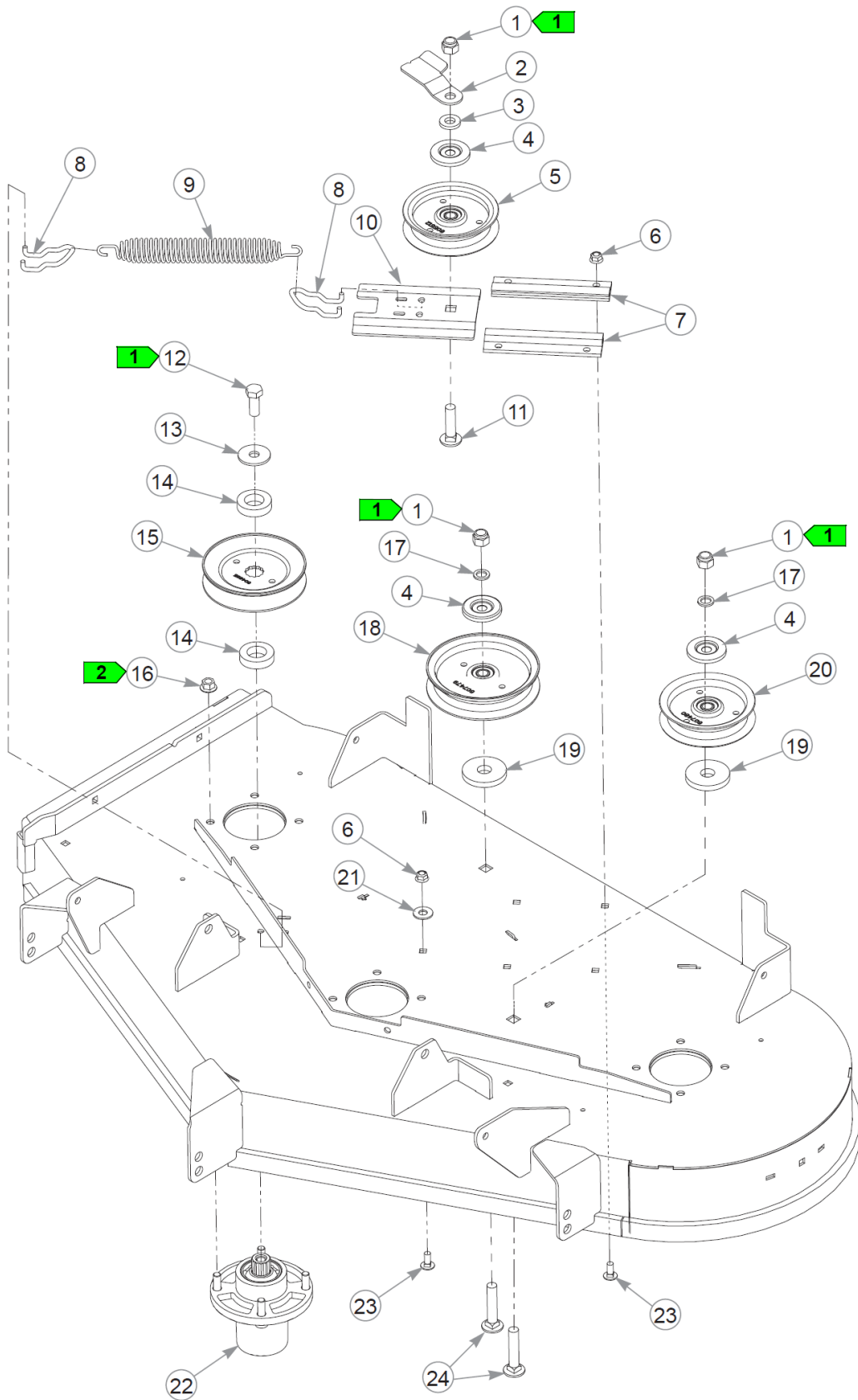


Service Deck

Élément	Numéro de pièce	Qté	Nom
1	555463	1	SVC, DECK DECAL
2	781419	1	DECAL, BELT ROUTING
3	604221	1	DECAL, DANGER / CHUTE
4	793976	1	DECAL,48"DECK ID
5	604222	1	DECAL, DANGER / OBJECTS

Comments for Page: Service Deck

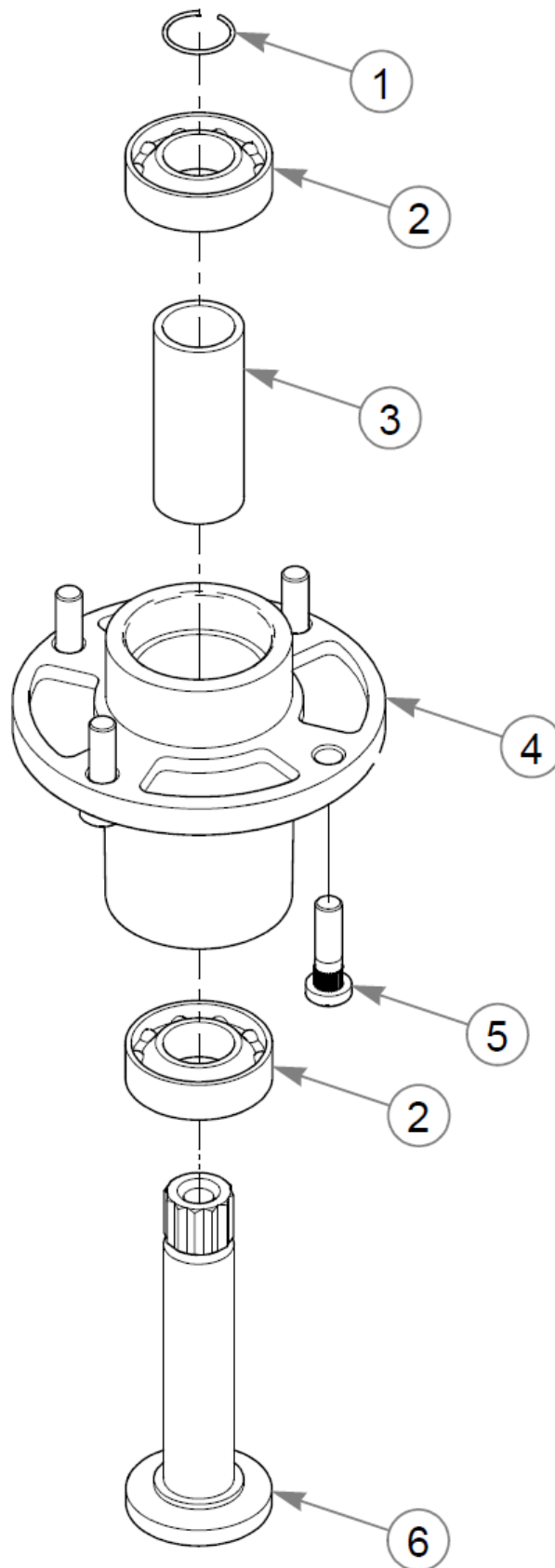
1. The deck includes the decals.



Élément	Numéro de pièce	Qté	Nom
1	781567	3	NT .500-13NLG5
2	125847-4	1	BELT GUIDE, 4.00" IDLER
3	767962	1	FW .531 x 1.063 x .175
4	605467	3	DUST SHIELD
5	605512	1	4" IDLER PULLEY
6	608059	5	NT 0.312-18 FL NY G5
7	604079	2	IDLER SLIDE, EXTRUDED
8	604110	2	ANCHOR, SPRING TENSIONER
9	607616	1	SPRING, DECK IDLER
10	604194	1	SLED, IDLER
11	604253	1	CB .50-13 X 2.00 STD ZN
12	705954	3	CS .500-13X1.25 HX G5 ZN
13	798603	3	FW .515X1.65X.12 HD ZN
14	604661	6	SPACER, SPINDLE PULLEY
15	604665	3	PULLEY, DECK DRIVE B-SEC
16	604515	12	NT .375-16 FL NY GF
17	604486	2	FW .531X.812X.089 HD
18	607479	1	IDLER PULLEY, 5.00"
19	605508	2	FW .73X2.25X.31 ZN
20	607480	1	IDLER PULLEY, 4.00"
21	017129	1	FW .440X1.00X0.08 ZN
22	607418	3	BLADE SPINDLE ASSY
23	016253	5	CB .312-18X .750 FUL ZN
24	604254	2	CB .50-13 X 2.50 STD ZN

Comments for Page: Deck Pulleys & Spindles

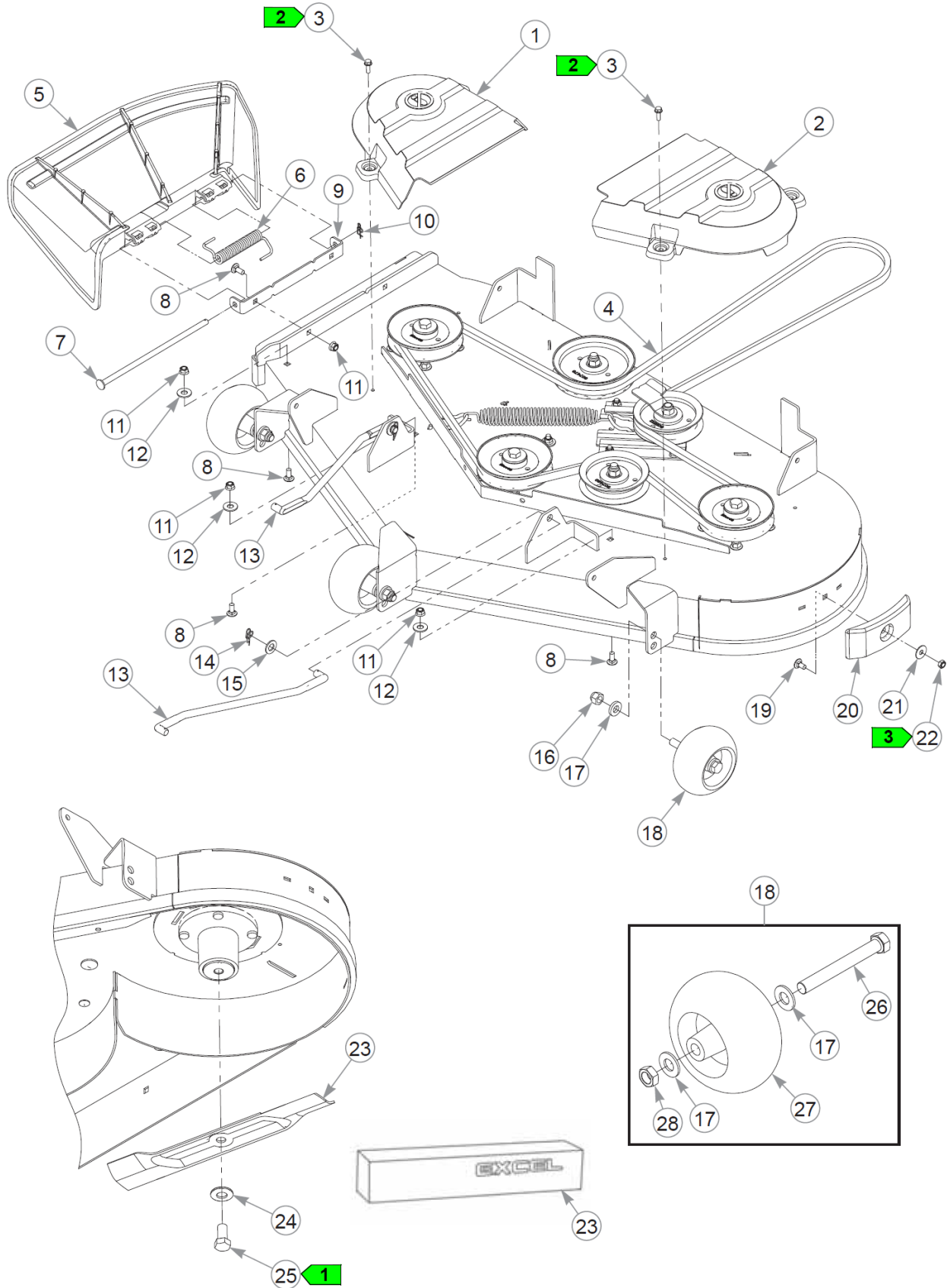
1. Torque to 99 N•m.
2. Torque to 41 N•m.



Spindle Service Parts - 607418

Élément	Numéro de pièce	Qté	Nom
1	783548	1	RING, BLADE SPINDLE RET
2	601827	2	BEARING, 6205 2RST C3
3	601830	1	SPACER, BLADE SPINDLE
4	607419	1	SVC, SPINDLE HOUSING
5	607416	4	AXEL BOLT 3/8-16 X 1.375
6	601829	1	SHAFT, BLADE SPINDLE

Deck Belt, Pulley Covers & Blades



Deck Belt, Pulley Covers & Blades

Élément	Numéro de pièce	Qté	Nom
1	607865	1	PULLEY COVER, RH
2	607866	1	PULLEY COVER, LH
3	604324	4	CS .250-20 X .75 HX FLG
4	601788	1	DECK BELT
5	607961	1	DISCHARGE CHUTE
6	607981	1	SPRING, TORSION
7	607991	1	PIN, DISCHARGE CHUTE
8	016253	5	CB .312-18X .750 FUL ZN
9	126410-4	1	DISCHARGE CHUTE BRKT
10	607093	1	CP, RUE RING .054 X .392
11	608059	5	NT 0.312-18 FL NY G5
12	017129	3	FW .440X1.00X0.08 ZN
13	607969	2	PULLER, DECK
14	607051	2	CP, RUE RING .062 X .520
15	004168	2	FW .531x1.00x.090 ZN
16	781567	3	NT .500-13NLG5
17	767962	9	FW .531 x 1.063 x .175
18	788166	3	WHEEL ASSY, ANTI SCALP
19	083147	1	CB .312-18X .620 G5 ZN
20	607946	1	BUMPER, DECK
21	079210	1	FW 0.344X1.0X0.06 ZN
22	604251	1	NT .312-18 HXNL JAM G2ZN
23	607558	3	BLADE, 16.50"-L-F-CW
Not Shown	607558X	1	10PK, BLADE 16.50"
Not Shown	601014	3	BLADE, F16.50"-L-F-CW
Not Shown	601014X	1	10PK BLADE, F16.50-L-F-C
Not Shown	795757	3	BLADE, F16.50"-H-F-CW
Not Shown	795757X	1	10PK BLADE, F16.50"-H-F-
Not Shown	796623	3	BLADE, 16.50"-MUL-F-CW
Not Shown	796623X	1	10PK BLADE, 16.50"-MUL-F
Not Shown	796631	3	BLADE, 16.50"-GAT-F-CW
Not Shown	796631X	1	10PK BLADE, 16.50"-GAT-F
Not Shown	796649	3	BLADE, 16.50"-CAT-F-CW
Not Shown	796649X	1	10PK BLADE, 16.50"-CAT-F
24	607962	3	CW .678 X 1.500 X .135
25	781872	3	CS .625-11X1.250HXG5

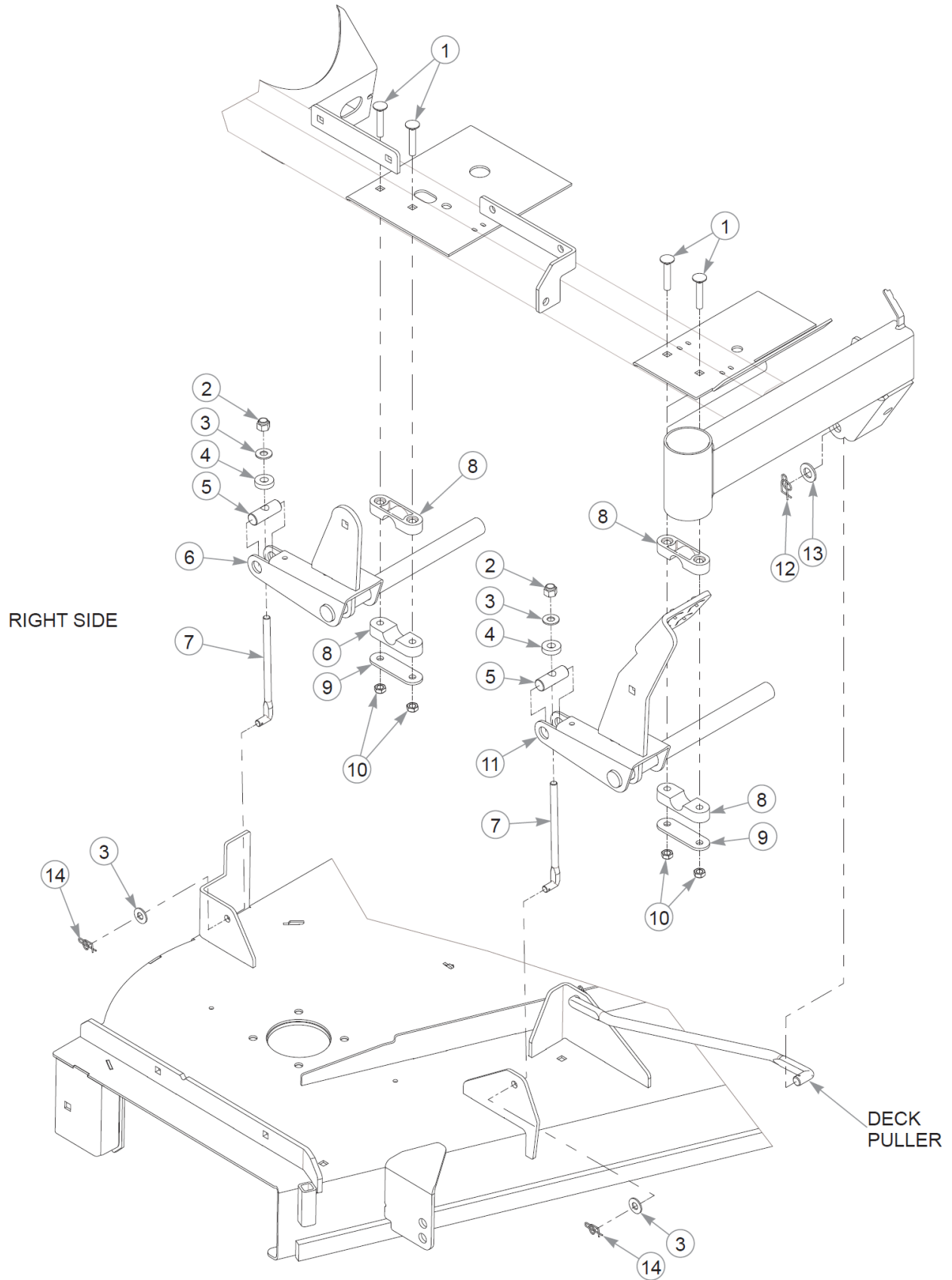
Cette page intentionnellement laissée vierge

Deck Belt, Pulley Covers & Blades

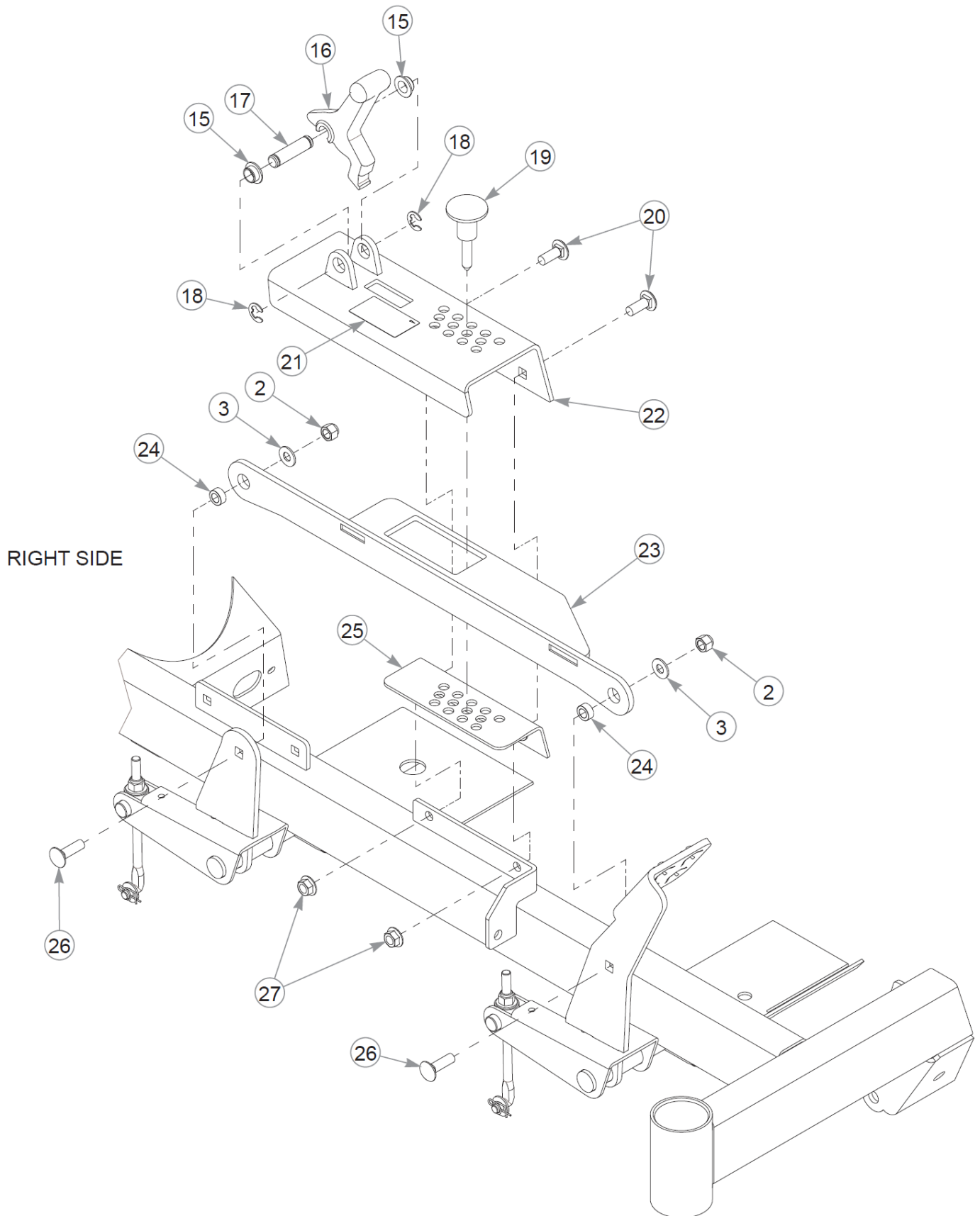
Élément	Numéro de pièce	Qté	Nom
26	781708	3	CS .500-13X4.25 HX G5 ZN
27	031997	3	ANTI-SCALP WHEEL
28	053199	3	NT .500-13JAMG5

Comments for Page: Deck Belt, Pulley Covers & Blades

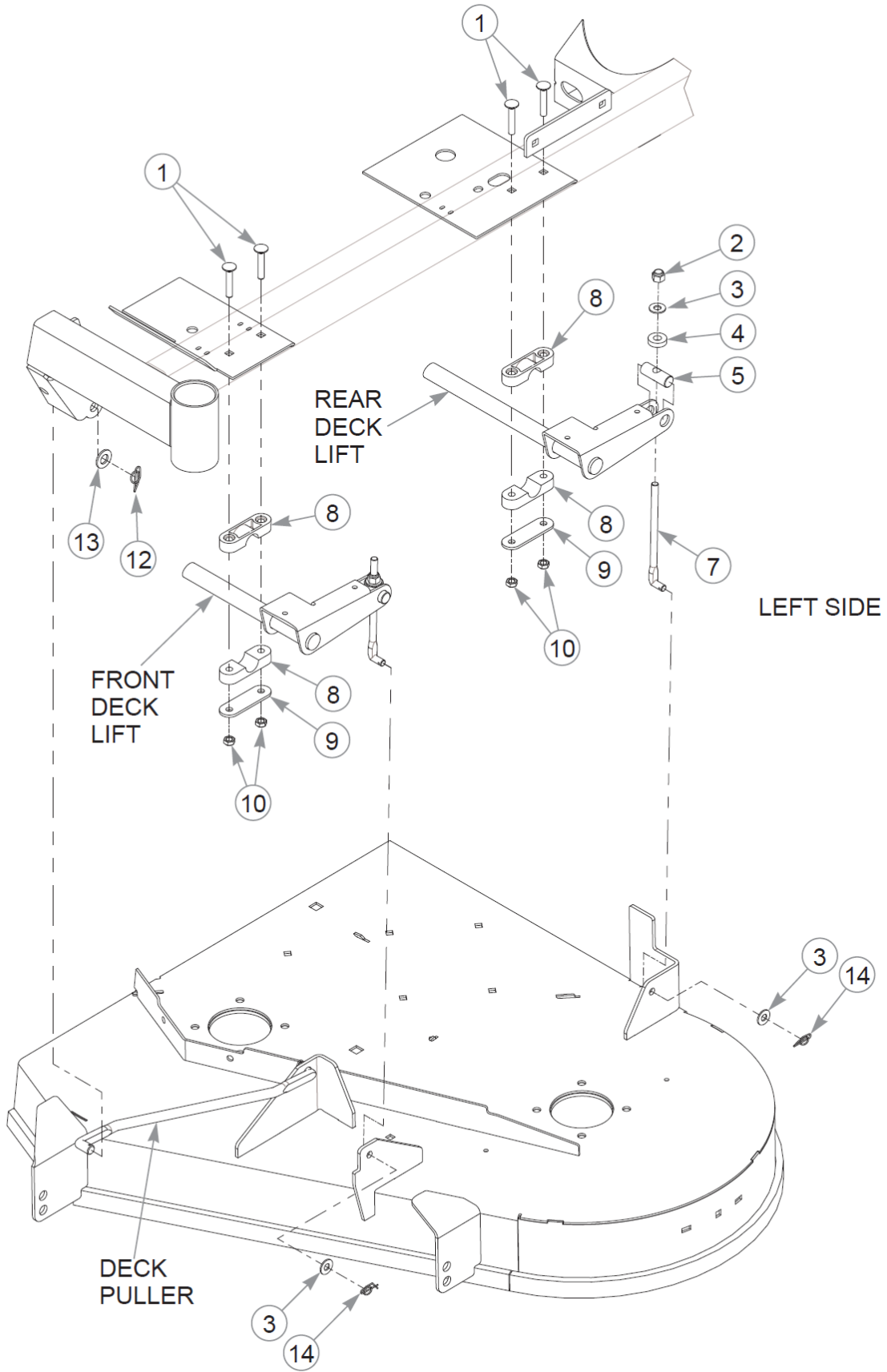
1. Torque to 160 N•m.
2. Torque to 3–7 N•m on these 4 self-tapping screws.
3. Torque to 4–8 N•m.



Cette page intentionnellement laissée vierge

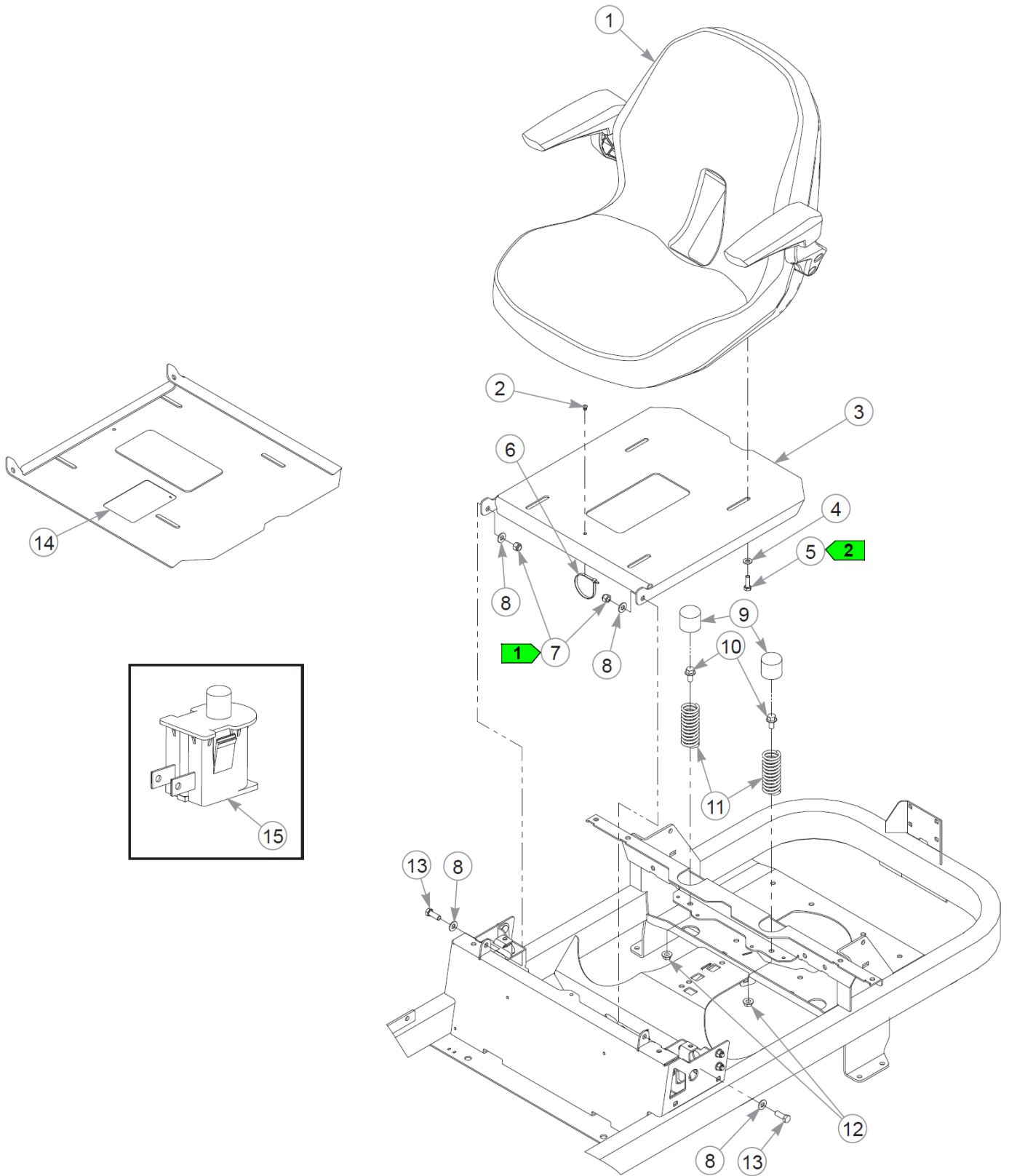


Cette page intentionnellement laissée vierge



Élément	Numéro de pièce	Qté	Nom
1	771212	8	CB .312-18X 1.750 G5
2	086660	6	NT .375-16NLG8
3	767954	10	FW 0.379X.82X.06 HD ZN
4	605114	4	FW .41X.94X.25 UHMW
5	607970	4	PIVOT, DECK LIFT
6	126389-1	1	DECK LIFT W/A REAR
7	607912	4	DECK HANGER
8	607907	8	BUSHING, DECK LIFT
9	126369-1	4	SUPPORT, DECK HANGER
10	604251	8	NT .312-18 HXNL JAM G2ZN
11	126385-1	1	DECK LIFT W/A FRONT
12	607051	2	CP, RUE RING .062 X .520
13	004168	2	FW .531x1.00x.090 ZN
14	607093	4	CP, RUE RING .054 X .392
15	768259	2	BUSHING,IGUS#0810 (FS)
16	605466	1	TRANSPORT LATCH
17	605470	1	CE .500X2.00X1.63
18	793059	2	CLIP E,(1/2").80X.396X.
19	607039	1	PIN, .375X1.62 MAGNETIC
20	025395	2	CB .375-16X 1.00 G5 ZN
21	605538	1	DECAL, DECK HEIGHT
22	555703	1	SVC, DECK HEIGHT
23	126374-4	1	DECK LIFT LINK ZINC
24	118900	2	SPACER, DECK LIFT LINK
25	126370-1	1	DECK HEIGHT BRACKET
26	603113	2	CB .375-16X1.250 G5 ZN
27	016899	2	NT .375-16 FLKG5

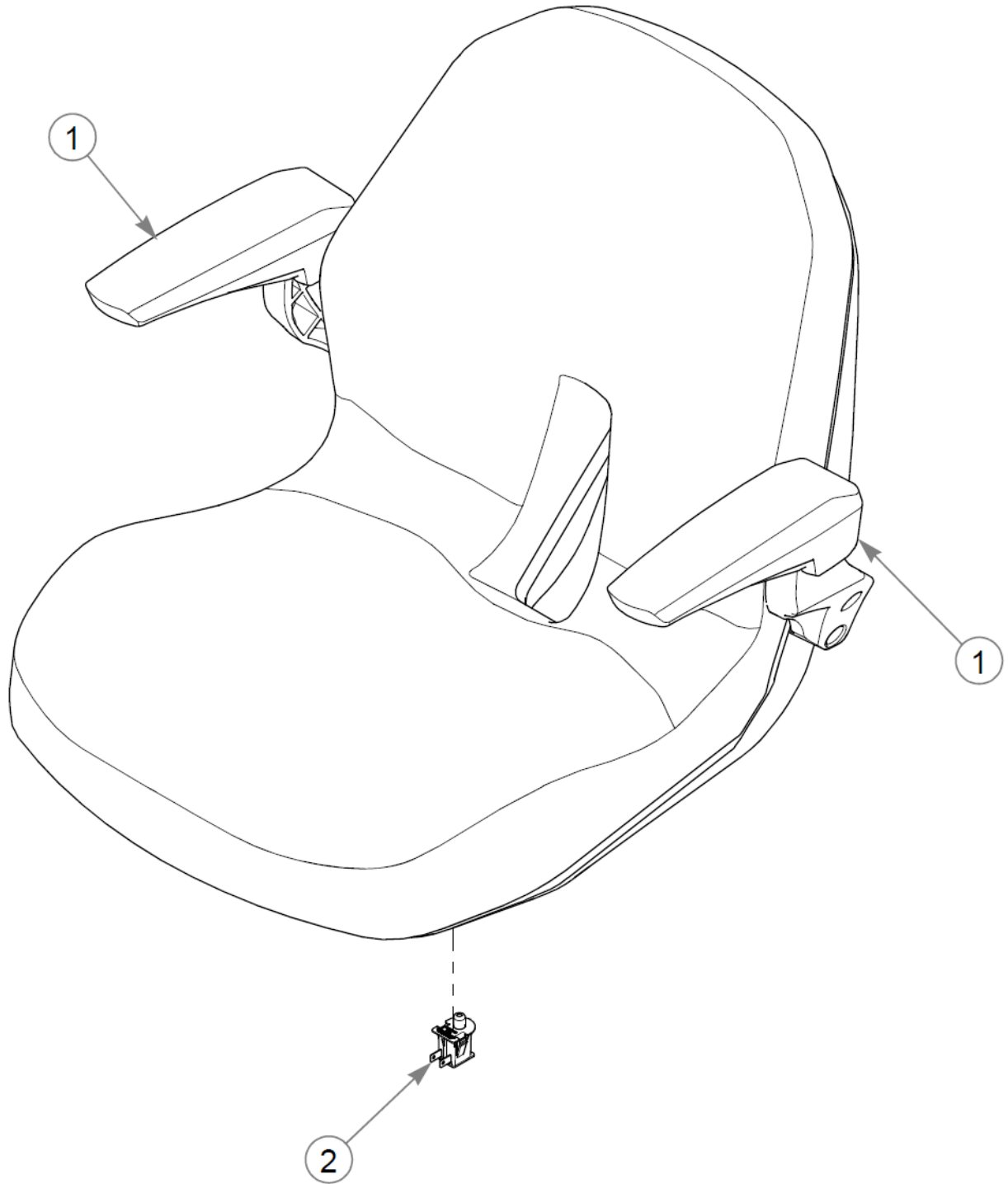
Seat



Élément	Numéro de pièce	Qté	Nom
1	608028	1	SEAT, SK130 W/ RF WELD
2	604307	1	MOUNT, PUSH BUTTON
3	555767	1	SVC, SEAT PAN
4	768523	4	FW 0.343SAE
5	036236	4	CS .312-18X1.000HXG5
6	000331	1	WIRE TIE, SMALL/SHORT
7	086660	2	NT .375-16NLG8
8	767954	4	FW 0.379X.82X.06 HD ZN
9	607838	2	CAP
10	029629	2	CS .375-16X0.75 HXF G5ZN
11	793851	2	SPRING,COMP 1.25X4.00X.
12	016899	2	NT .375-16 FLKG5
13	036244	2	CS .375-16X1.00 HX G5 ZN
14	601815	1	DECAL, BATTERY WARNINGS
15	793315	1	SWITCH, SNAP MOUNT

Comments for Page: Seat

1. Do not torque; the seat pan must pivot freely.
2. Torque to 9 N•m.
3. The seat pan includes the decal.



Seat Service Parts

Élément	Numéro de pièce	Qté	Nom
1	608153	1	SVC, ARMREST KIT SK130
2	793315	1	SWITCH, SNAP MOUNT